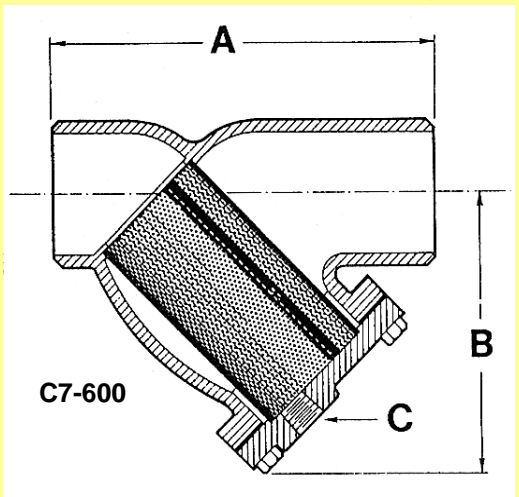
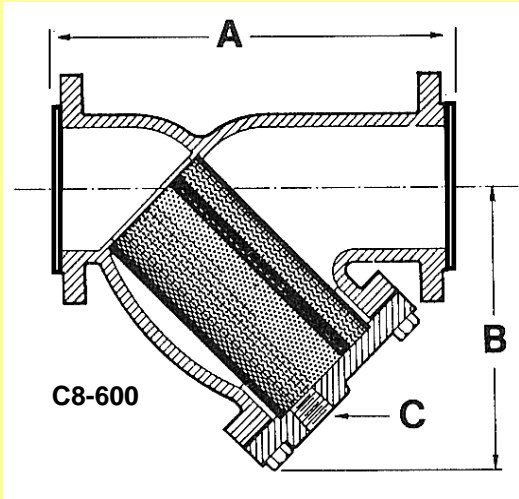


600 LB. CAST CARBON STEEL FLANGED & BUTTWELD "Y" STRAINERS

MODELS: C8-600 & C7-600

| PRESSURE-TEMPERATURE RATINGS | |
|------------------------------|-------------------|
| STEAM: | 600 psi @ 838° F |
| WOG: | 1480 psi @ 100° F |



SERVICE RECOMMENDATIONS

These strainers are designed for dependable service under demanding conditions created by high temperatures and pressures. Installation of a strainer before any automatic equipment will ensure trouble free service and avoid costly repairs caused by the existence of foreign matter in pipelines.

FEATURES

All sizes feature a bolted cover machined to receive the screen. The stainless steel spiral wound cover gaskets are designed for high temperature service. Studs are alloy steel. Covers are normally furnished with a blowoff tapping, but without a plug. Ring Type Joints (RTJ) are available.

SCREENS

Fabrotech supplies sturdy 304 SS screens which are normally furnished in the following perforations:

| | | |
|-----------------|------------------|------------------|
| SERVICE: | 1/2" - 4" | 5" to 14" |
| Steam: | .033" | .045" |
| Liquid : | .062" | 1/8" |

Other materials, such as Monel, Hastelloy C, & Alloy-20 are available. Other perforation sizes and/or mesh lining is also available.

CONSTRUCTION

Extremely rugged & durable bodies constructed from Carbon Steel (ASTM A216 Gr. WCB). Both models are available in Chrome Moly (ASTM A217 Gr. WC6 & WC9). The standard cover is HRS plate. The bodies of both the C8-600 & C7-600 are designed to meet 600 lb. ANSI specifications. Model C8-600 has RF flanges and model C7-600 ends are machined to match schedule 80 pipe. Other bore schedules are available. All models have machined seats in the body & cover to ensure accurate screen alignment.

DIMENSIONS & WEIGHTS APPROXIMATE
(Apply for certified drawings)

| SIZE in. mm | 1/2" 15 | 3/4" 20 | 1" 25 | 1 1/4" 32 | 1 1/2" 40 | 2" 50 | 2 1/2" 65 | 3" 80 | 4" 100 | 5" 125 | 6" 150 | 8" 200 | 10" 250 | 12" 300 | |
|----------------|------------|------------|----------|--------------|--------------|----------|--------------|----------|-----------|-----------|-----------|-----------|------------|------------|--------|
| A | C8-600 | 6 5/8 | 8 5/16 | 8 5/16 | 10 1/8 | 10 1/4 | 11 | 12 | 13 1/2 | 18 | 22 1/4 | 25 5/8 | 31 3/4 | 37 3/4 | 45 1/2 |
| | C7-600 | 6 5/8 | 8 5/16 | 8 5/16 | 10 1/8 | 10 1/4 | 11 | 12 | 13 1/2 | 18 | 22 1/4 | 25 5/8 | 31 3/4 | 37 3/4 | 45 1/8 |
| B | C8-600 | 3 1/2 | 3 3/4 | 3 3/4 | 5 1/2 | 5 1/2 | 7 | 8 1/4 | 9 1/4 | 12 1/2 | 15 | 20 | 24 | 28 1/2 | 34 1/2 |
| | C7-600 | 3 1/2 | 3 3/4 | 3 3/4 | 5 1/2 | 5 1/2 | 7 | 8 1/4 | 9 1/4 | 12 1/2 | 15 | 20 | 24 | 28 1/2 | 34 1/2 |
| C | NPT | 3/8 | 1/2 | 1/2 | 1/2 | 1/2 | 1 | 1 | 1 1/4 | 1 1/2 | 2 | 2 | 2 | 2 | |
| WT (lb) | C8-600 | 6 | 12 1/4 | 13 | 19 | 27 | 40 | 60 | 78 | 160 | 254 | 364 | 670 | 1090 | 1558 |
| | C7-600 | 3 | 9 | 9 | 12 | 13 | 23 | 35 | 47 | 81 | 134 | 200 | 405 | 706 | 880 |
| Clean Cv (gpm) | | 30 | 35 | 40 | 40 | 40 | 70 | 100 | 150 | 250 | 390 | 550 | 900 | 1500 | 2200 |

Also available in sizes 14" thru 24"

FABROTECH INDUSTRIES, INC.

Fischer-Robertson, Inc.

3890 Symmes Road
Hamilton, OH 45015

ph 513-860-3445 fx 513-860-4744

www.fischer-robertson.com