



BMB SERIES

Multi-Bag Filter Housings

- Multi-Bag Filter Housing
- ASME Design/Industrial Design
- Universal

Multi-purpose industrial design non-code and ASME "U" code housings.



SUITABLE USES



Air & Gas



Desalination



Coolant



Water



Electronics



Coatings



Oil & Gas



Chemical



Pulp & Paper



Power



Marine



Equipment

MEDIA

Accepts multiple double length (P2) bags.

DESIGN PRESSURE

150psig (10.3bar) @ 400 F (204.4 C)

AVAILABLE MATERIALS

Vessels available in carbon or stainless steel 304 or 316. Also available in LDX2101, C276, AL6XN, 2205, 2507, and Monel 400.

ADDITIONAL FEATURES

BMB housings allow for easy filter bag removal and do not require ladders or platforms to change the filter bags. Swing bolt closure allows for quick bag change out.

Fischer-Robertson, Inc.
3890 Symmes Road, Hamilton, OH 45015
ph 513-860-3445 fx 513-860-4744
www.fischer-robertson.com

BMB SERIES

Multi-Bag Filter Housings

- Multi-Bag Filter Housing
- ASME Design/Industrial Design
- Universal



HOUSING SPECIFICATIONS

Inlet/Outlet	2" Flange - 18" Flange
Dirty Drain	½" NPT
Clean Drain	2" NPT
Vent	½" NPT
Gauges	½" NPT
Basket	1/8" on 3/16" perforated plate *Other basket options available.
Certifications	U, UM, CE, NB, CRN

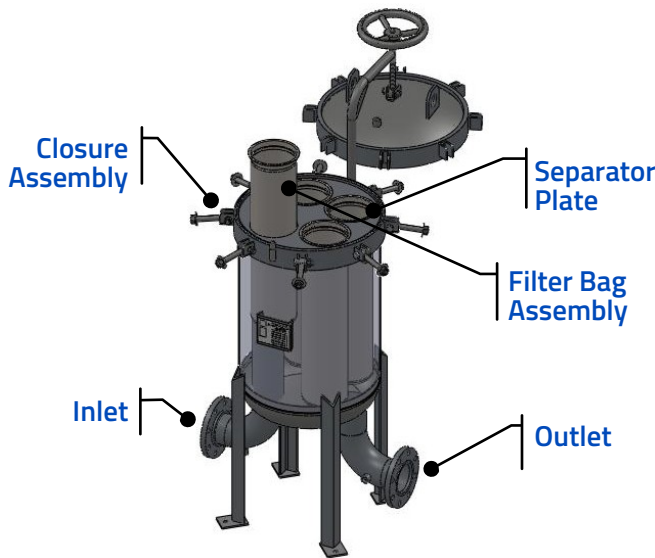
MODEL FLOW RATES

MODEL	# OF FILTERS	FLOW RATE GPM	STD INLET / OUTLET
BMB16	2	250	4"
BMB18	3	375	4"
BMB20	4	500	4"
BMB22	4	500	6"
BMB24	6	750	6"
BMB26	7	800	6"
BMB28	7	875	8"
BMB30	8	1000	8"
BMB32	10	1250	8"
BMB34	12	1375	8"
BMB36	12	1500	10"
BMB38	15	1875	10"
BMB40	17	2125	10"
BMB42	18	2250	12"
BMB44	19	2375	12"
BMB46	23	3125	12"
BMB48	25	3250	14"
BMB50	28	3500	14"
BMB52	31	3875	14"
BMB54	32	3875	14"
BMB56	35	4375	16"
BMB58	38	4750	16"
BMB60	39	4875	18"

Flow rates are based on water at 125gpm per bag, using 10 micron single layer filter bags with a clean pressure drop of 2psi. When operating using baskets only, each basket can flow up to 200gpm. Actual flow rates are dependent on fluid viscosity, bag micron rating, type of filter bag, and contaminant. Please contact Fil-Trek for assistance with sizing.

MATERIAL OF CONSTRUCTION

MATERIAL OF CONSTRUCTION	MAX. OPERATING PRESSURE	MAX. DESIGN TEMP
Carbon Steel	150 psig (10.3bar)	400 F (204.4 C)
304 Stainless Steel	150 psig (10.3bar)	400 F (204.4 C)
316 Stainless Steel	150 psig (10.3bar)	400 F (204.4 C)



Fischer-Robertson, Inc.
3890 Symmes Road, Hamilton, OH 45015
ph 513-860-3445 fx 513-860-4744
www.fischer-robertson.com

BMB SERIES

Multi-Bag Filter Housings

- Multi-Bag Filter Housing
- ASME Design/Industrial Design
- Universal

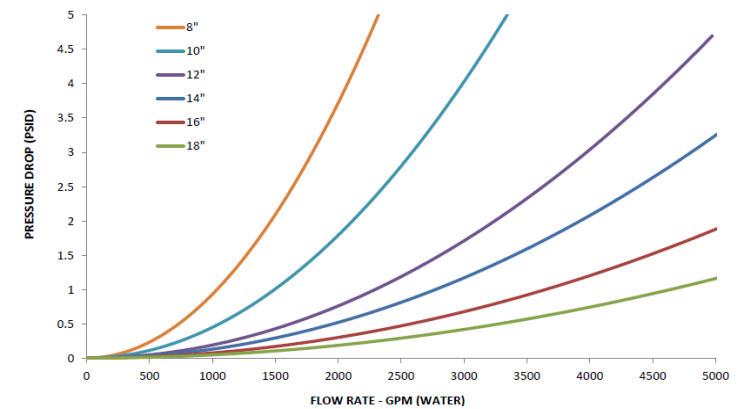
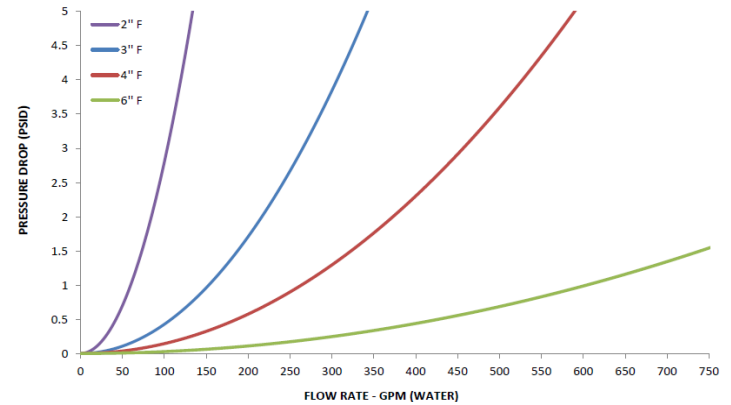


HOUSING OPTIONS

*Indicates standard configuration

Basket	(-) – 1/8" on 3/16" perforated basket*
Options	MB__ - Mesh lined basket (insert mesh size in open space)
Finish	(-) – External paint "National Blue"* for carbon steel housings
Options	(-) – Bead Blast* for stainless steel 304 and 316 EP1 – Electro polish Inside/Outside EP2 – Inside only EP3 – Outside only PP – Passivation
O-Ring	(-) – Buna-N*
Options	ED – EPDM VI – Viton SI – Silicone TEV – Teflon encapsulated Viton
Head Lift	(-) – K1 – Head lift (standard 18" +)*
Options	K2 – Hinge (standard 16")* K3 – Hydraulic Jack Davit Side K4 – Hydraulic Jack Davit Top
Accessories	Direct Reading Gauge DP Gauge Safety Relief Valves Vent Valves Drain Valves Air Eliminator Omega Springs Balloon/Liquid Displacer Bag Magnets

FLOW CHART



BMB SERIES

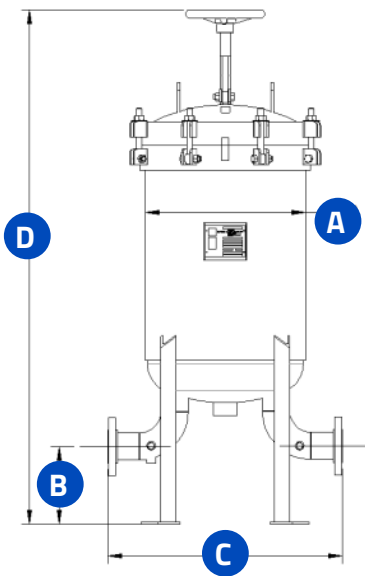
Multi-Bag Filter Housings

- Multi-Bag Filter Housing
- ASME Design/Industrial Design
- Universal



CHART LEGEND

- A** OUTSIDE DIAMETER
- B** FLOOR TO INLET
- C** FACE TO FACE
- D** OVERALL HEIGHT



MODEL DIMENSIONAL DETAILS

MODEL	SHIPPING WEIGHT (LBS)	A	B	C	D
**BMB16	330	16"	8"	28"	64"
BMB18	360	18"	8"	28"	64"
BMB20	410	20"	8"	32"	64"
BMB22	475	22"	9"	36"	66"
BMB24	560	24"	9"	40"	73"
BMB26	600	26"	9"	42"	75"
BMB28	650	28"	10"	44"	75"
BMB30	700	30"	10"	49"	77"
BMB32	810	32"	11"	50"	78"
BMB34	950	34"	11"	52"	78"
BMB36	1000	36"	11"	54"	78"
BMB38	1100	38"	12"	56"	78"
BMB40	1225	40"	12"	58"	80"
BMB42	1350	42"	12"	60"	82"
BMB44	1425	44"	12"	60"	84"
BMB46	1600	46"	12"	62"	86"
BMB48	1750	48"	14"	64"	88"
BMB50	1900	50"	14"	64"	90"
BMB52	2100	52"	14"	64"	92"
BMB54	2200	54"	16"	75"	94"
BMB56	2450	56"	16"	75"	96"
BMB58	2700	58"	16"	75"	98"
BMB60	2950	60"	18"	75"	100"

Dimensions above are based on standard configuration 'A'. Contact factory for weights and dimensions for all other model configurations

PRODUCT NOMENCLATURE

S6	BMB	18	3	12	6F	-
MOC	MODEL	HOUSING DIAMETER	# OF BAGS	BAG LENGTH	CONNECTION TYPE	OPTIONS
(-) – CARBON S4 – SS304 S6 – SS316	BMB – ASME CODE EBMB – NON ASME	See Table	See table	12 – Size 2	See Table	See Housing Options



Fischer-Robertson, Inc.
3890 Symmes Road, Hamilton, OH 45015
ph 513-860-3445 fx 513-860-4744
www.fischer-robertson.com