



FRP SERIES

Fibreglass Reinforced Plastic Cartridge Filter Housings

- Universal
- Housings accepts industry standard double open end style cartridges

Up to 100psig (10.3bar) @ 150°F (65.6°C)
standard design pressure with a safety factor of 4.



SUITABLE USES



Desalination



Chemical



Water



Marine



Equipment

MEDIA

Accepts multiple 30", 40", 50" or 60" cartridges.
Housings accepts industry standard double open end style cartridges.

**Models can be designed to accept single open end cartridges.*

DESIGN PRESSURE

100psig (10.3bar) @ 150°F (65.6°C)

AVAILABLE MATERIALS

Steel components available in stainless steel 304 or 316 for models above FRP30

ADDITIONAL FEATURES

Swing bolt closure allows for quick element change out
Vessel material has a longer life expectancy when dealing with corrosive liquids, such as; sea water and brackish water.

Fischer-Robertson, Inc.
3890 Symmes Road, Hamilton, OH 45015
ph 513-860-3445 fx 513-860-4744
www.fischer-robertson.com

FRP SERIES

Fibreglass Reinforced Plastic Cartridge Filter Housings

- Universal
- Housings accepts industry standard double open end style cartridges



HOUSING SPECIFICATIONS

*Indicates standard configuration

Inlet/Outlet	1" Flange -18" Flange*
Dirty Drain	2" Flanged*
Clean Drain	2" Flanged*
Vent	1"-2" Flanged*
Body Material	FRP – Fibreglass Reinforced Plastic (vinyl-ester resin)*
External Finishing	Blue Exterior Paint* Custom Paint Available
External Steel Components	SS316
External Bolting	SS304/B7

MODEL FLOW RATES

MODEL	# OF 2.5" FILTERS	MAX FLOW RATE GPM	DESIGN	CLOSURE
FRP08-005-4-3F	5	100	Flat Top/Flat Bottom	Thru-Bolt
FRP10-008-4-3F	8	160	Flat Top/Flat Bottom	Thru-Bolt
FRP12-012-4-4F	12	240	Flat Top/Flat Bottom	Thru-Bolt
FRP14-018-4-4F	18	360	Flat Top/Domed Bottom	Swing Bolt
FRP16-023-4-6F	23	460	Flat Top/Domed Bottom	Swing Bolt
FRP18-030-4-6F	30	600	Domed Top/Domed Bottom	Swing Bolt
FRP20-037-4-6F	37	740	Domed Top/Domed Bottom	Swing Bolt
FRP24-056-4-8F	56	1120	Domed Top/Domed Bottom	Swing Bolt
FRP30-085-4-10F	85	1700	Domed Top/Domed Bottom	Swing Bolt
FRP36-132-4-12F	132	2640	Domed Top/Domed Bottom	Swing Bolt
FRP42-185-4-14F	185	3700	Domed Top/Domed Bottom	Swing Bolt
FRP48-250-4-16F	250	5000	Domed Top/Domed Bottom	Swing Bolt
FRP54-320-4-18F	320	6400	Domed Top/Domed Bottom	Swing Bolt
FRP60-400-4-20F	400	8000	Domed Top/Domed Bottom	Swing Bolt

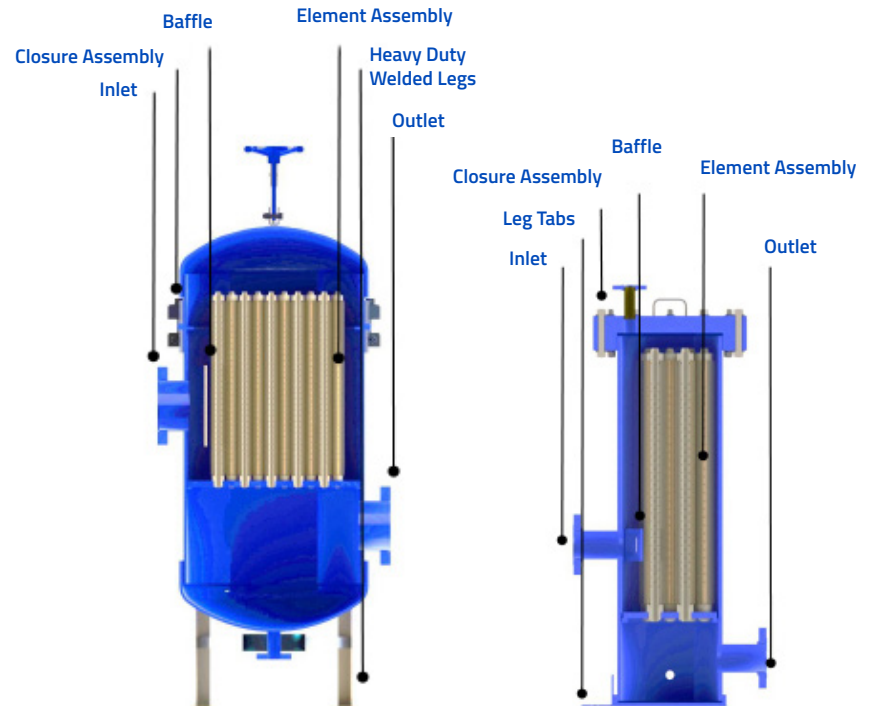
Flow rates based on water at 5gpm/10" (assuming 40" cartridges). Actual Flow rate is dependent on fluid viscosity, cartridge micron rating, contaminant and type of media.



The internal PVC post is perforated to allow for even liquid distribution amongst the entire filter cartridge length. The top seat and bottom cup are also made of PVC.

MATERIAL OF CONSTRUCTION

MATERIAL OF CONSTRUCTION	MAX. OPERATING PRESSURE	MAX. DESIGN TEMPERATURE
FRP	100 psi (10.3bar)	150°F



FRP SERIES

Fibreglass Reinforced Plastic Cartridge Filter Housings

- Universal
- Housings accepts industry standard double open end style cartridges



HOUSING OPTIONS

*Indicates standard configuration

Configuration A – Side in/side out*
Options

O-Ring Options (-) – Buna-N*
ED – EPDM
VI – Viton
SI – Silicone

Leg Options **LT – Leg Tabs**
*(std for FRP08-FRP12)**
AI – Angle Iron Legs
*(std for FRP14 and larger)**

Head Lift Options **Handles** *(std FRP08 to FRP24)**
Mechanical Davit
*(std FRP30 and larger)**
K3 - Hydraulic Jack, Side Davit
Other headlift options available, please contact factory.

Filter Configuration **E1 – Double Open End***

External Steel Attachments **ATS4 – SS304***
ATS6 – SS316

Bolting Options **B1 – B7 Bolting***
B3 – B8 Bolting
B4 – B8M Xylan Coated

Other Options Skid Mounting
Duplexing

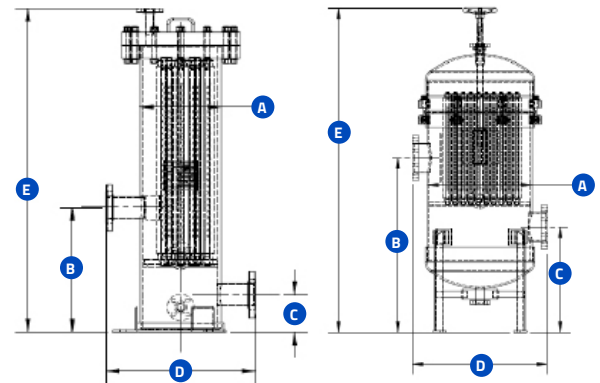
Accessories Direct Reading Gauge
DP Gauge
Safety Relief Valves
Vent Valves
Drain Valves
Air Eliminator

FRP08 TO FRP24 MODEL DIMENSIONAL DETAILS

MODEL	SHIPPING WEIGHT (LBS)	A	B	C	D	E
FRP08-005-4-3F	125	9"	20"	6"	20"	62 ¹ / ₁₆ "
FRP10-008-4-3F	155	11"	20"	6"	22"	62 ¹ / ₁₆ "
FRP12-012-4-4F	230	13"	20"	6"	24"	62 ¹ / ₁₆ "
FRP14-018-4-4F	265	15"	18"	6"	28"	59 ⁷ / ₈ "
FRP16-023-4-6F	280	17"	18"	6"	28"	60 ⁷ / ₈ "
FRP18-030-4-6F	300	18 ¹ / ₂ "	20"	8"	30"	64 ¹ / ₁₆ "
FRP20-037-4-6F	320	20 ¹ / ₂ "	20"	8"	32"	65 ¹ / ₁₆ "
FRP24-056-4-8F	340	24 ¹ / ₂ "	20"	8"	36"	65 ¹ / ₁₆ "
FRP30-085-4-10F	560	32"	52"	31 ³ / ₈ "	40"	102 ¹ / ₈ "
FRP36-132-4-12F	700	38"	64"	34"	48"	110"
FRP42-185-4-14F	1260	44"	68"	38"	54"	116"
FRP48-250-4-16F	1750	50"	70"	40"	70"	122"
FRP54-320-4-18F	3220	56"	72"	44"	76"	130"
FRP60-400-4-20F	5040	62"	74"	46"	82"	138"

CHART LEGEND

- A** OUTSIDE DIAMETER
- B** FLOOR TO INLET
- C** FLOOR TO OUTLET
- D** FACE TO FACE
- E** OVERALL HEIGHT



FRP COMPARED TO ALTERNATE MATERIALS

- vs SS316** ■ FRP has a higher resistance to sea water
- vs Lined Vessels** ■ No risk of damaging lining with an FRP Vessel
- vs Duplex Steel** ■ FRP is a much more cost effective option

FRP SERIES

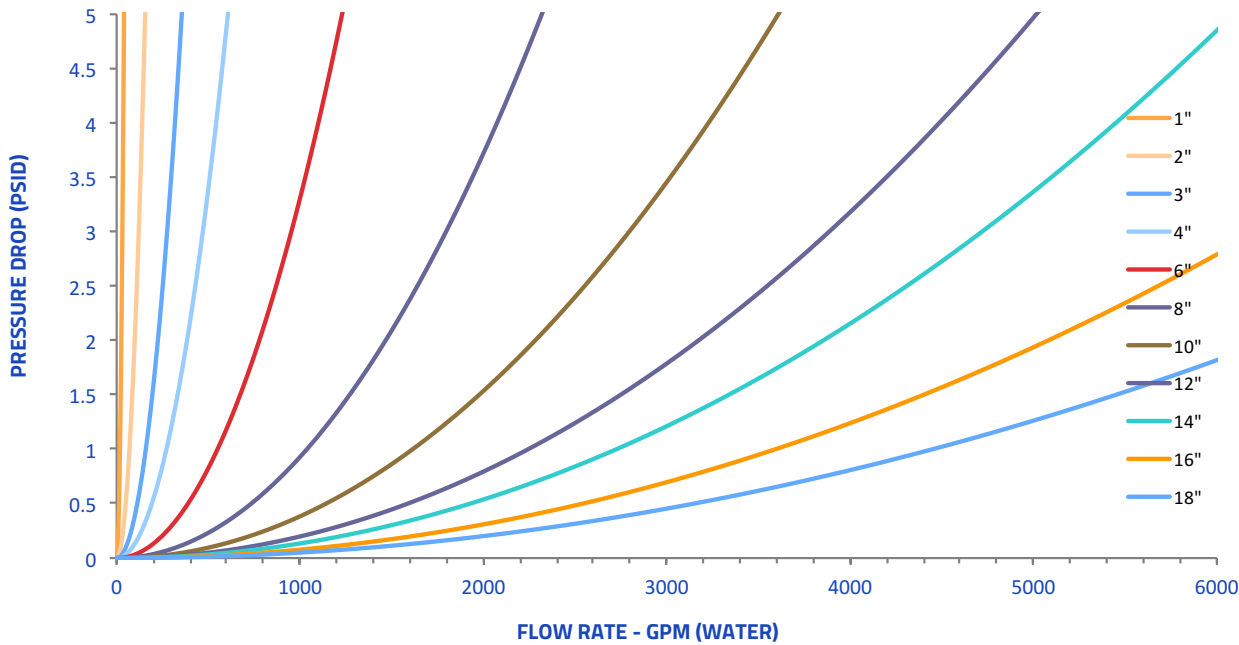
Fibreglass Reinforced Plastic Cartridge Filter Housings

- Universal
- Housings accepts industry standard double open end style cartridges



FLOW CHART

HOUSING PRESSURE DROP vs LIQUID FLOW RATE



PRODUCT NOMENCLATURE

FRP	48	250	4	16F	-
MODEL	HOUSING DIAMETER	# OF FILTERS	LENGTH	CONNECTION TYPE	OPTIONS
FRP - ASME CODE	See Table	See Table	3 - 30 4 - 40 5 - 50 6 - 60	See Table	See Housing Options