



L SERIES

Lined Cartridge Filter Housings

- ASME Design
- Universal
- Excellent for sea water or other corrosive applications

Multi-purpose industrial ASME code ("U" & "UM") and non-code design housings.



SUITABLE USES



Air & Gas



Desalination



Coolant



Water



Electronics



Coatings



Oil & Gas



Chemical



Pulp & Paper



Power



Marine



Equipment

MEDIA	Accepts multiple 30", 40" & 50" cartridges.
DESIGN PRESSURE	150psig (10.3bar) @ 400°F(204.4 °C) design pressure.
AVAILABLE MATERIALS	Vessels available in carbon steel, with various lining options. <i>Cost effective solution in comparison to AL6XN or other duplex steels.</i>
ADDITIONAL FEATURES	Cost effective solution in comparison to AL6XN or other duplex steels. Swing bolt closure allows for quick element change out.

Fischer-Robertson, Inc.
3890 Symmes Road, Hamilton, OH 45015
ph 513-860-3445 fx 513-860-4744
www.fischer-robertson.com

L SERIES

Lined Cartridge Filter Housings

- ASME Design
- Universal
- Excellent for sea water or other corrosive applications



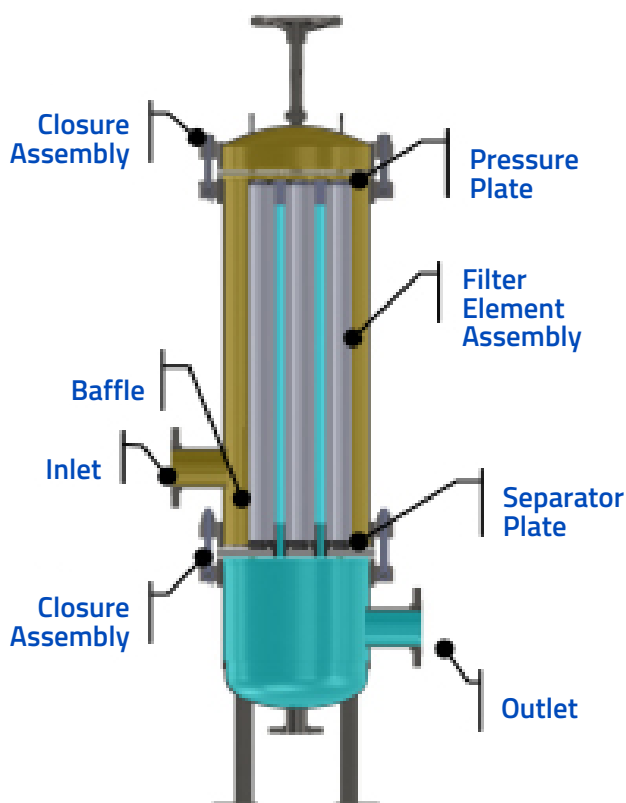
HOUSING SPECIFICATIONS

*Indicates standard configuration

Inlet/Outlet	3"-20" Flange*
Dirty Drain	2" Flange*
Clean Drain	2" Flange*
Vent	2" Flange*
Gauges	½" NPT*
Certifications	U, UM, CE, NB, CRN

MODEL FLOW RATES

MODEL	# OF FILTERS	FLOW RATE GPM	MAX INLET/OUTLET	DESIGN
L10	9	180	3"	Split
L12	12	240	4"	Split
L14	17	340	4"	Split
L16	22	440	6"	Split
L18	29	580	6"	Split
L20	37	740	6"	Split
L24	44	880	8"	Full Body
L26	56	1060	8"	Full Body
L28	66	1320	8"	Full Body
L30	78	1560	10"	Full Body
L32	85	1700	10"	Full Body
L34	102	2040	12"	Full Body
L36	116	2320	12"	Full Body
L38	130	2600	12"	Full Body
L40	140	2800	14"	Full Body
L42	154	3080	14"	Full Body
L44	180	3600	16"	Full Body
L46	195	3900	16"	Full Body
L48	210	4200	16"	Full Body
L50	230	4600	18"	Full Body
L52	250	5000	18"	Full Body
L54	270	5400	18"	Full Body
L56	300	6000	20"	Full Body
L58	320	6400	20"	Full Body
L60	335	6700	20"	Full Body



For maximum efficiency/product life, the flow rates are based on water at 5gpm/10'. Actual Flow rate is dependent on fluid viscosity, cartridge micron rating, contaminant and type of media.

MATERIAL OF CONSTRUCTION

MATERIAL OF CONSTRUCTION	MAX. OPERATING PRESSURE	MAX. DESIGN TEMP
Carbon Steel	150 psi (10.3bar)	400°F (204.4°C)
304 Stainless Steel	150 psi (10.3bar)	400°F (204.4°C)
316 Stainless Steel	150 psi (10.3bar)	400°F (204.4°C)



Fischer-Robertson, Inc.
3890 Symmes Road, Hamilton, OH 45015
ph 513-860-3445 fx 513-860-4744
www.fischer-robertson.com

L SERIES

Lined Cartridge Filter Housings

- ASME Design
- Universal
- Excellent for sea water or other corrosive applications

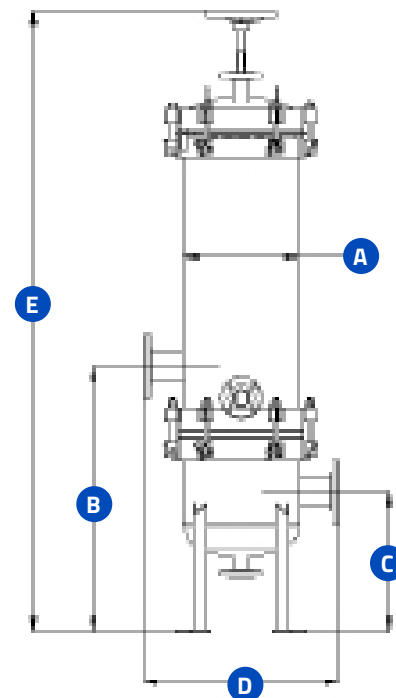


MODEL DIMENSIONAL DETAILS

MODEL	SHIPPING WEIGHT (LBS)	A	B	C	D	E
L10	300	10"	27"	15"	30"	88"
L12	375	12"	30"	17"	30"	89"
L14	525	14"	30"	17"	34"	90"
L16	600	16"	32"	17"	34"	93"
L18	700	18"	34"	18"	38"	94"
L20	900	20"	36"	19"	40"	95"
L24	1200	24"	40"	24"	50"	103"
L26	1350	26"	42"	26"	40"	104"
L28	1450	28"	42"	30"	40"	105"
L30	1500	30"	44"	30"	42"	105"
L32	1700	32"	46"	32"	44"	108"
L34	1800	34"	46"	32"	46"	108"
L36	1950	36"	48"	34"	48"	112"
L38	2100	38"	50"	34"	50"	116"
L40	2200	40"	54"	36"	52"	118"
L42	2500	42"	58"	38"	54"	119"
L44	2575	44"	60"	38"	56"	120"
L46	2650	46"	64"	38"	59"	120"
L48	2750	48"	66"	40"	62"	122"
L50	3000	50"	70"	42"	66"	126"
L52	3100	52"	74"	44"	66"	130"
L54	3150	54"	78"	46"	68"	133"
L56	3300	56"	72"	48"	68"	136"
L58	3400	58"	76"	50"	70"	138"
L60	3600	60"	80"	52"	72"	140"

CHART LEGEND

- A** OUTSIDE DIAMETER
- B** FLOOR TO INLET
- C** FLOOR TO OUTLET
- D** FACE TO FACE
- E** OVERALL HEIGHT



*Above dimensions are for 40" Element, Style A. For other options contact factory.

**Given dimensions are approximate only, for true dimensions contact factory.



Fischer-Robertson, Inc.
 3890 Symmes Road, Hamilton, OH 45015
 ph 513-860-3445 fx 513-860-4744
www.fischer-robertson.com

L SERIES

Lined Cartridge Filter Housings

- ASME Design
- Universal
- Excellent for sea water or other corrosive applications



HOUSING OPTIONS

*Indicates standard configuration

Configuration A – Side in/side out*
Options C – Side in/Bottom out
(at left)

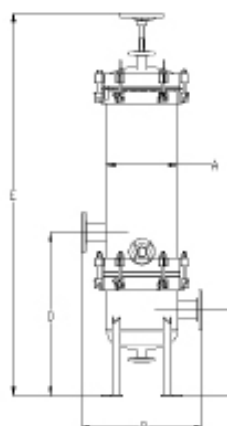
O-Ring (-) – Buna-N*
Options ED – EPDM
 VI – Viton
 SI – Silicone
 TEV – Teflon encapsulated Viton
 TF – Teflon

Head Lift (-) – K1 – Head lift*
Options K2 – Hinge
 K3 – Hydraulic Jack Davit Side
 K4 – Hydraulic Jack Davit Top

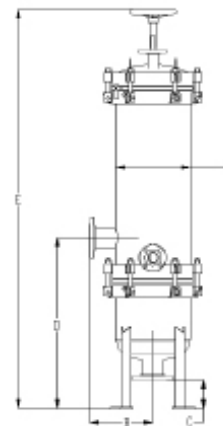
Filter Configuration E1 – Double Open End*
 E2 – DOE with Gasket Ends
 E3 – DOE with 1" Ext. Core
 E4 – SOE Flat End 222 Open End
 E5 – SOE Fin End 222 Open End
 E8 – SOE Plastic Spring Top 222
 E9 – SOE Plastic Spring Top

Accessories Direct Reading Gauge
 DP Gauge
 Safety Relief Valves
 Vent Valves
 Drain Valves
 Air Eliminator

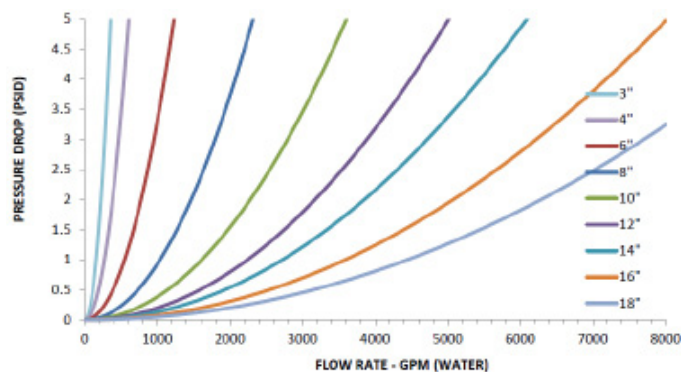
A Side in/side out*



C Side in/Bottom out



FLOW CHART



PRODUCT NOMENCLATURE

L	18	029	4	6F	RL	-
MODEL	HOUSING DIAMETER	# OF FILTERS	LENGTH	CONNECTION TYPE	LINING MATERIAL	OPTIONS
L - ASME CODE	See Table	See Table	3 – 30 4 – 40 5 – 50	See Table	KY - KYNAR RL - RUBBER TE - TEFLON NP - NEOPRENE PC - PVC BP - BAKED PHENOLIC EX - EPOXY HR - HALAR	See Housing Options



Fischer-Robertson, Inc.
 3890 Symmes Road, Hamilton, OH 45015
 ph 513-860-3445 fx 513-860-4744
 www.fischer-robertson.com