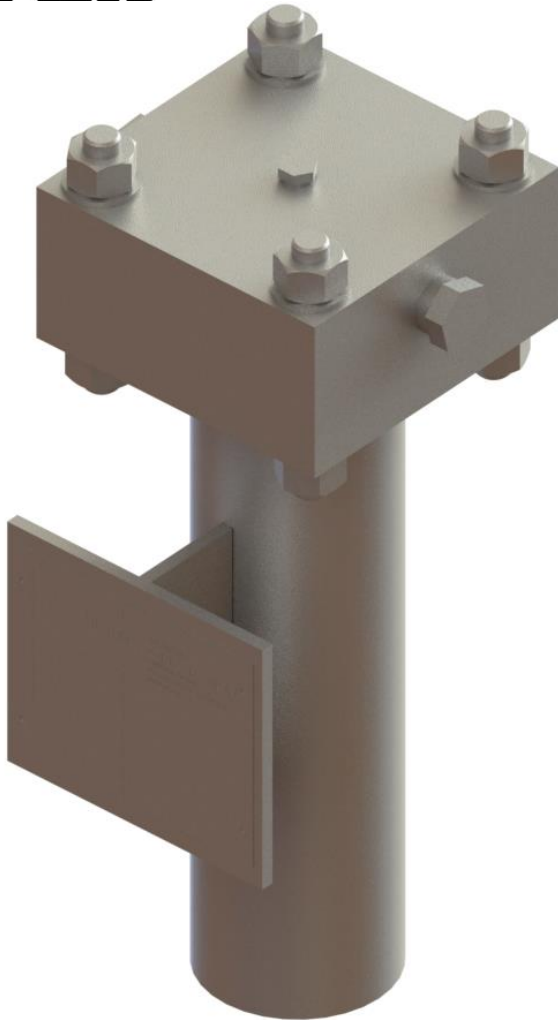




# Fil-Trek



Single Cartridge Filter Housings  
Industrial Design  
Universal



Water



Desalination



Chemicals



Electronics



Oil/Gas



Air/Gas



Inks/Paints/ Coatings



Power



Coolants



Pulp & Paper

## M SERIES

# Single Cartridge Filter Housing

- Single round cartridge housings.
- Accepts one (1) 10", 20", 30" or 40" long cartridge filters (2.5" or 2.75" OD).
- Housings pressure rated up to 6150 PSIG.
- Housings available in carbon steel, SS304, SS316, C276 and 2507.
- Flange and socket weld connections optional.
- ASME U & UM stamps available

# M SERIES

Single Cartridge Filter Housings  
Industrial Design  
Universal

## HOUSING SPECIFICATIONS

**Max. Available Operating Pressure**  
6150 PSIG, see chart

**Maximum Operating Temperature**  
400°F, see chart

**Inlet/Outlet Sizes**  
1" (standard)  
\*Other inlet/outlet sizes may be available

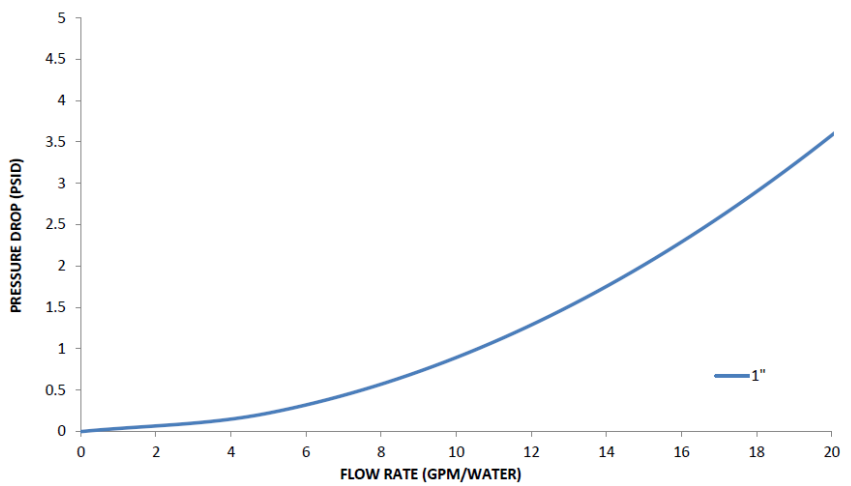
**Inlet/Outlet Connection Types**  
NPT (standard)  
Flange  
Socket Weld

**Vent**  
1/4"

**Drain**  
1/4"

**Finish**  
Carbon steel – painted  
Stainless steel – bead blast

## FLOW CHART



## PRESSURE/TEMPERATURE DESIGNATION

DESIGNATION		PRESSURE	TEMP (°F)	ANSI RATING
PT1	CS	285	100	ANSI 150
	SS304/SS316	270		
PT2	CS	200	400	ANSI 150
	SS304/SS316	190		
PT3	CS	740	100	ANSI 300
	SS304/SS316	720		
PT4	CS	635	400	ANSI 300
	SS304/SS316	495		
PT5	CS	1480	100	ANSI 600
	SS304/SS316	1440		
PT6	CS	1270	400	ANSI 600
	SS304/SS316	995		
PT7	CS	2215	100	ANSI 900
	SS304/SS316	2155		
PT8	CS	1900	400	ANSI 900
	SS304/SS316	1490		
PT9	CS	3700	100	ANSI 1500
	SS304/SS316	3595		
PT10	CS	3170	400	ANSI 1500
	SS304/SS316	2485		
PT11	CS	6150	100	ANSI 2500
	SS304/SS316	5995		
PT12	CS	5200	400	ANSI 2500
	SS304/SS316	4140		

## PRODUCT NOMENCLATURE

S6	M	001	33	1	P	PRESSURE/TEMP RATING
MATERIAL	MODEL	# OF FILTERS	FILTER LENGTH	CONNECTION SIZE	CONNECTION TYPE	
CARBON (BLANK)	M SERIES	001	1 – 10"	1"	P – FNPT	SEE CHART ABOVE
S4 – SS304			2 – 20"		F – FLANGE	
S6 – SS316			3 – 30"			
			4 – 40"			

**NOTE: Max. rated pressure is for housing only. Safe operating temperature and pressure depends on filter element and gasket selection.**