



Compliant with
NSF/ANSI 61

MPH SERIES

Horizontal Membrane Protection Housing

- ASME Design
- Universal
- Equivalent of Parker Fulflo MP housings.

Multi-purpose industrial ASME "U" & "UM" code housings.



SUITABLE USES



Air & Gas



Desalination



Coolant



Water



Electronics



Coatings



Oil & Gas



Chemical



Pulp & Paper



Power



Marine



Equipment

MEDIA

Accepts multiple 30" or 40" cartridges.
Multi-purpose filter seat cups accept industry standard double open end and 222 style cartridges.

DESIGN PRESSURE

150psig (10.3bar) @ 400°F(204.4°C) design pressure.

AVAILABLE MATERIALS

Stainless Steel 304 or 316, LDX2101, C276, AL6XN, RA2205 & Monel 400 also available.

**All materials are in compliance with NSF 61 standards, except for carbon steel.*

ADDITIONAL FEATURES

Bead blasted exterior and passivated interior/exterior surfaces to help prevent corrosion.

Swing bolt closure allows for quick element change out.

Stainless steel 304 bolting and davit standard.

Includes removable internal cartridge support plate.

Fischer-Robertson, Inc.
3890 Symmes Road, Hamilton, OH 45015
ph 513-860-3445 fx 513-860-4744
www.fischer-robertson.com

MPH SERIES

Horizontal Membrane Protection Housings

- ASME Design
- Universal
- Equivalent of Parker Fulflo MP housings



HOUSING SPECIFICATIONS

*Indicates standard configuration

Inlet/Outlet	3" Flange - 22" Flange*
Dirty Drain	2" NPT*
Clean Drain	2" NPT*
Vent	½" NPT*
Gauges	½" NPT*
Certifications	U, UM, CE, NB, CRN

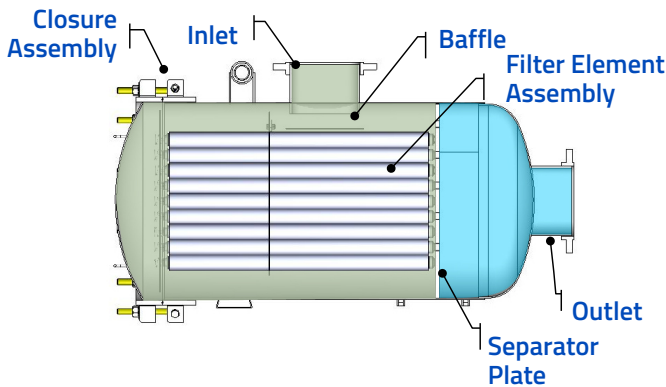
MODEL FLOW RATES

MODEL	# OF FILTERS 2.5"	FLOW RATE GPM 2.5"	MAX INLET/ OUTLET
MPH12-4-3F	12	240	4"
MPH14-4-3F	14	280	4"
MPH17-4-4F	17	340	4"
MPH20-4-6F	20	400	6"
MPH29-4-6F	29	580	6"
MPH34-4-6/8F	34	680	6"
MPH40-4-8F	40	800	8"
MPH52-4-8F	52	1040	8"
MPH062-4-8F	62	1240	8"
MPH70-4-8/10F	70	1400	10"
MPH86-4-10F	86	1720	10"
MPH103-4-10F	103	2060	10"
MPH110-4-10F	110	2200	12"
MPH118-4-12F	118	2520	12"
MPH140-4-12F	140	2800	14"
MPH150-4-14F	150	3000	14"
MPH176-4-16F	176	3560	14"
MPH190-4-16F	190	3800	16"
MPH205-4-16F	205	4100	16"
MPH225-4-16F	225	4500	16"
MPH245-4-18F	245	4900	18"
MPH290-4-18F	290	5800	18"
MPH316-4-18F	316	6320	18"

Flow rates based on water at 5gpm/10" (Assuming 40" Cartridges). Actual Flow rate is dependent on fluid viscosity, cartridge micron rating, contaminant and type of media.

MATERIAL OF CONSTRUCTION

MATERIAL OF CONSTRUCTION	MAX. OPERATING PRESSURE	MAX. DESIGN TEMP
304 Stainless Steel	150 psi (10.3bar)	400 °F (204.4 °C)
316 Stainless Steel	150 psi (10.3bar)	400 °F (204.4 °C)



MPH SERIES

Horizontal Membrane Protection Housings

- ASME Design
- Universal
- Equivalent of Parker Fulflo MP housings



HOUSING OPTIONS

*Indicates standard configuration

Configuration (-) C – Side in/Back out*
Options E – Top entry/Back out

Finish (-) – Bead Blast*
Options (-) – Passivation*
 EP1 – Electro polish Inside/Outside
 EP2 – Inside only
 EP3 – Outside only

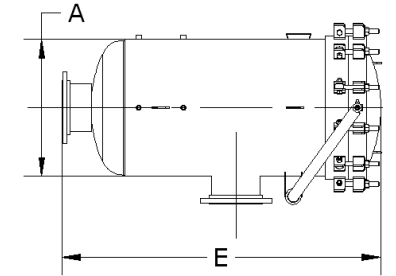
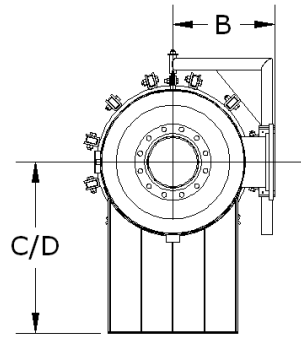
O-Ring (-) – Buna-N*
Options ED – EPDM
 VI – Viton
 SI – Silicone
 TEV – Teflon encapsulated Viton
 TF – Teflon

Head Lift (-) Mechanical Davit
Options (std for MPH12 and larger)*
 (-) Hydraulic Davit
 (std for MPH40 and larger)*
 K3 – Hydraulic Jack Davit Side
 K4 – Hydraulic Jack Davit Top
 *Other head lift options available

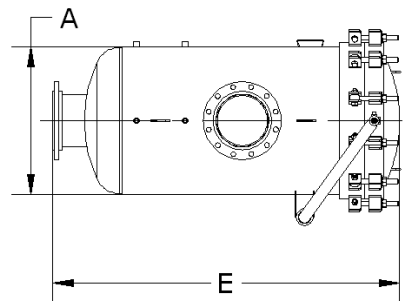
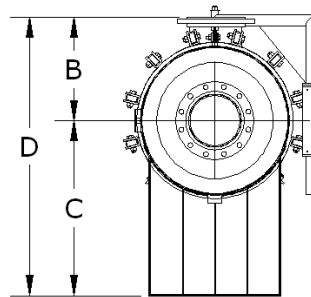
Filter E1 – Double Open End (std)*
Configuration E2 – DOE with Gasket Ends
 E3 – DOE with 1" Ext. Core
 E4 – SOE Flat End 222 Open End
 E5 – SOE Fin End 222 Open End
 E8 – SOE Plastic Spring Top 222
 E9 – SOE Plastic Spring Top

Accessories Direct Reading Gauge
 DP Gauge
 Safety Relief Valves
 Vent Valves
 Drain Valves
 Air Eliminator

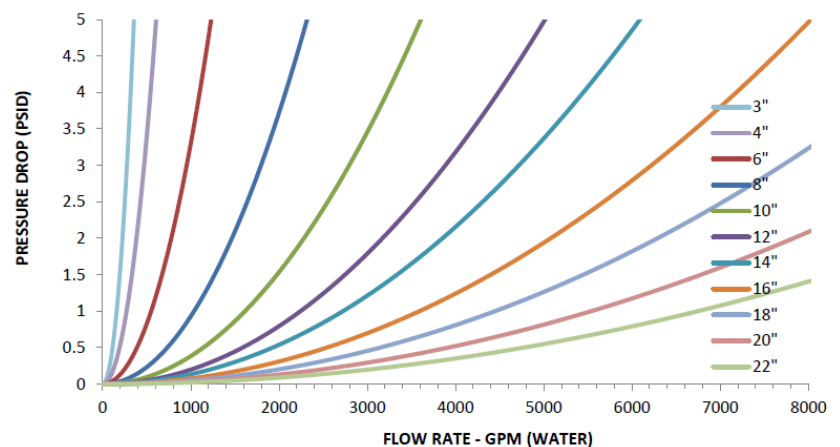
C Style C - Side in / Back Out



E Style E - Top Entry / Back Out



FLOW CHART



MPH SERIES

Horizontal Membrane Protection Housings

- ASME Design
- Universal
- Equivalent of Parker Fulflo MP housings



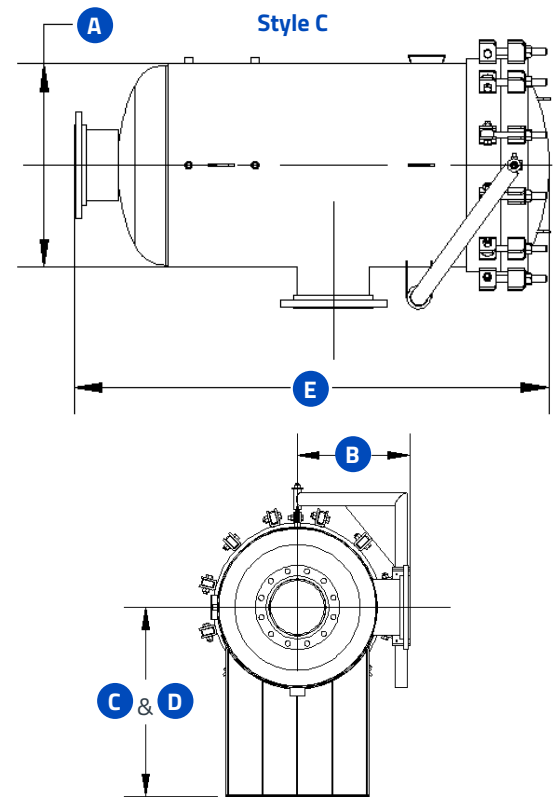
MODEL DIMENSIONAL DETAILS

MODEL	SHIPPING WEIGHT (LBS)	A	B	C	D	E
MPH12-4-3F	250	12 $\frac{1}{8}$ "	8"	36"	36"	58"
MPH14-4-3F	300	13 $\frac{1}{8}$ "	10"	36"	36"	58"
MPH17-4-4F	365	14 $\frac{1}{8}$ "	12"	36"	36"	58"
MPH20-4-6F	425	16 $\frac{1}{8}$ "	14"	36"	36"	58"
MPH29-4-6F	500	18 $\frac{3}{8}$ "	15"	36"	36"	60"
MPH34-4-6/8F	600	20 $\frac{1}{8}$ "	16"	36"	36"	62"
MPH40-4-8F	900	22 $\frac{1}{8}$ "	16"	36"	36"	66"
MPH52-4-8F	975	24 $\frac{1}{8}$ "	17"	36"	36"	66"
MPH062-4-8F	1100	26 $\frac{1}{8}$ "	18"	36"	36"	67"
MPH70-4-8/10F	1400	28 $\frac{1}{8}$ "	20"	36"	36"	68"
MPH86-4-10F	1600	30 $\frac{1}{8}$ "	21"	36"	36"	69"
MPH103-4-10F	1750	32 $\frac{1}{8}$ "	22"	36"	36"	69"
MPH110-4-10F	2100	34 $\frac{1}{8}$ "	24"	36"	36"	72"
MPH118-4-12F	2700	36 $\frac{1}{8}$ "	27"	36"	36"	74"
MPH140-4-12F	2900	38 $\frac{3}{8}$ "	29"	36"	36"	75"
MPH150-4-14F	3300	40 $\frac{1}{8}$ "	29"	36"	36"	80"
MPH176-4-16F	4100	42 $\frac{1}{8}$ "	29"	36"	36"	84"
MPH190-4-16F	4500	44 $\frac{1}{8}$ "	32"	36"	36"	86"
MPH205-4-16F	4900	46 $\frac{1}{8}$ "	32"	36"	36"	88"
MPH225-4-16F	5500	48 $\frac{3}{4}$ "	37"	43"	43"	91"
MPH245-4-18F	6000	50 $\frac{1}{8}$ "	37"	43"	43"	94"
MPH290-4-18F	6250	54 $\frac{1}{8}$ "	37"	43"	43"	95"
MPH316-4-18F	6500	56 $\frac{1}{8}$ "	37"	43"	43"	96"

NOTE: Above dimensions are for Style C. For other options contact factory.

CHART LEGEND

- A** OUTSIDE DIAMETER
- B** FACE TO CENTRE
- C** FLOOR TO OUTLET
- D** FLOOR TO INLET
- E** OVERALL HEIGHT



PRODUCT NOMENCLATURE

L4	MPH	20	4	6F	-
MATERIAL	MODEL	# OF FILTERS	LENGTH	CONNECTION TYPE	OPTIONS
L4 - SS304 L6 - SS316	MPH - ASME CODE	See Table	30 40	See Table	See Housing Options for more options



Fischer-Robertson, Inc.
3890 Symmes Road, Hamilton, OH 45015
ph 513-860-3445 fx 513-860-4744
www.fischer-robertson.com