

# TANK FILLER-BREATHERS

These provide filler ports for hydraulic power unit tanks or other liquid reservoirs. Liquids are strained as they are added to the tank and it lets the tank breathe filtered air.

The 30-mesh filler screen removes dirt and debris from liquids as they enter the systems. The breather cap filters the air, trapping airborne dirt down to 40- or 10-micron levels. It permits air passage at up to 25 scfm. Mounting hardware, gaskets, and templates are supplied.

## ACCESSORIES

### PERFORATED INNER GUARD:

Protects strainer basket against puncture. Four sizes (3", 6", 8" and 13") to match basket depths.

**MAGNET AND POST:** Attaches to bottom of basket, removes tiny iron particles which can sift through the screen. Impervious to hydraulic fluid. Three sizes (3", 6", and 8").

**DIPSTICK:** Attaches to cap. Can be marked to order: FULL, ADD, etc. Supplied in lengths (3", 6", 8" and 13"). Eliminates safety chain. If chain is wanted, it must be ordered.

The standard filler cap can be ordered with these modifications:

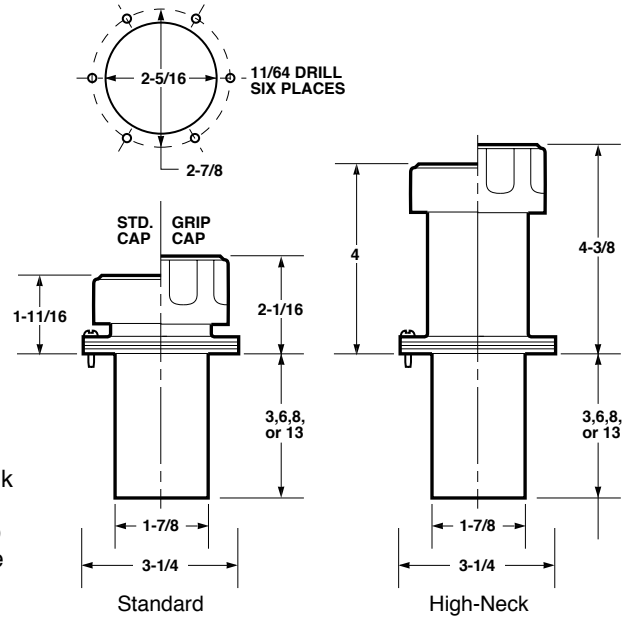
**Padlock adapted.** To help prevent tampering, the cap and mount can have welded lugs to allow use of a padlock. Specify "padlock adapted".

**Stainless steel.** Stainless caps and all-stainless units are available. Specify "stainless cap" or "all stainless" (AB only).

## STEEL TOP-MOUNTING UNITS

If funnels are used for filling, it is recommended that the screen basket be ordered at least 6-inches deep, to prevent accidental puncturing. Perforated metal inner guards may be ordered also, to prevent damage to the screen.

To help prevent tank-top dirt from plugging up the air filter you can order a 'high-neck' model. It puts the air filter 3 inches above the tank top. A 'grip' cap is another option: it is a larger, nickel-plated filler cup with curved indentations to provide a better gripping surface. Ideal for outdoor or oily environments.



## HOW TO ORDER TOP-MOUNTED UNITS

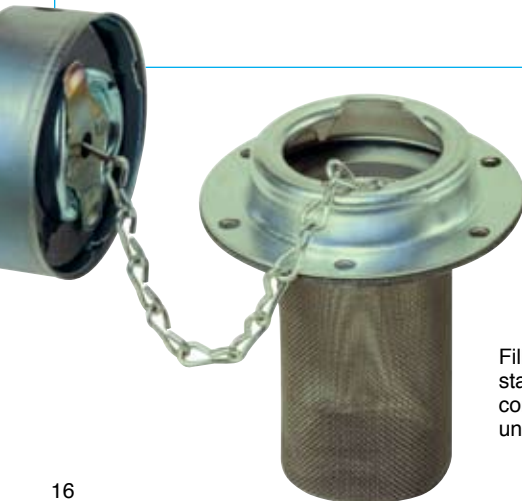
Select the desired specifications from the ordering table and build an ordering code number, as shown in this example:

**AB - 1000 - 6 - HN - G - DS-6 - M8 - LL - BPC**  
 CAP ELEMENT BASKET NECK GUARD DIP Magnet Lockable  
 (omit if not wanted)

CAP Type	ELEMENT (Micron)	BASKET Depth (in.)	NECK Height	INNER GUARD	DIP STICK****	MAGNET and POST	Lock Lugs	BLACK POWDER COATED
AB* (Std.)	1000 (40)	3 6 8	No Symbol (Std.)	No symbol (no guard)	No Symbol (No stick)	No Symbol (no magnet)	LL	BPC
ABG** (Grip type)	1010 (10)	13	HN*** (High neck)	G (guard)	DS-3*** (3-in.) DS-6*** (6-in.) DS-8*** (8-in.) DS-13*** (13-in.)	M3 (3-in. post) M6 (6-in. post) M8 (8-in. post)		ABG ABGP (only)
ABNV (Non-vented)								

\*Stainless steel available on AB only. \*\*ABG comes nickel plated or black powder coated.

\*\*\*No chain unless specifically ordered. \*\*\*\*Dip stick markings available (minimum order and extra charge).

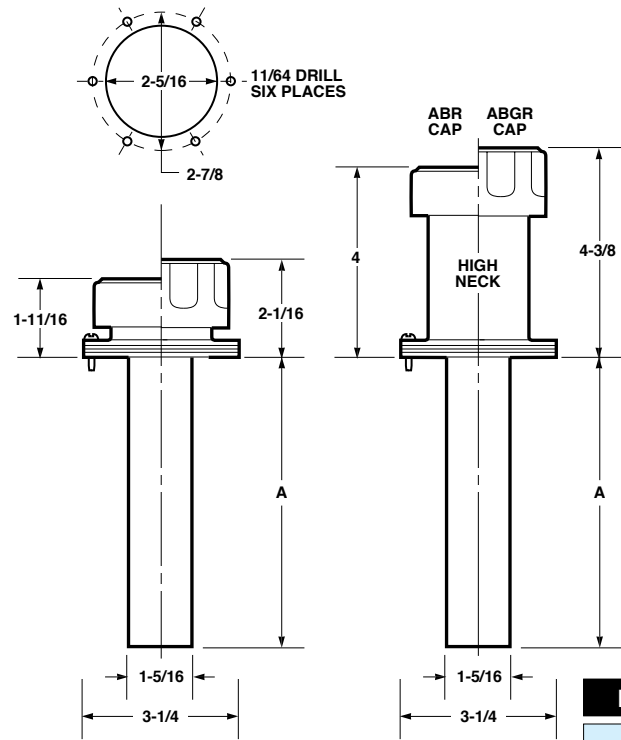


Filler-breathers with standard neck heights come with safety chains unless ordered without.



Basket with inner guard and magnet.

# TANK FILLER-BREATHERS



## REMOVABLE BASKET UNITS

The strainer baskets in these units pull out creating an easy point of entry into a hydraulic or lube oil reservoir for a suction hose. Allows easy removal of fluid. They are available with the same choice in accessories as the standard top-mounting units have. It's also easier to clean the basket of any dirt accumulation.

### HOW TO ORDER REMOVABLE BASKET UNITS

Select the desired specifications from the ordering table and build an ordering code number, as shown in this example:

**ABR - 1000 - 6 - HN - DS-6 - LL - BPC**  
 CAP ELEMENT BASKET NECK DIP Lockable Powder Coated  
 (R = Removable) (omit if not wanted)

CAP Type	ELEMENT (Micron)	BASKET(A) Depth (in.)	NECK Height	DIP Stick***	Lock Lugs	Black Powder Coated
<b>ABR*</b> (Std.)	<b>1000</b> (40)	<b>3</b> <b>6</b> <b>8</b>	<b>No Symbol</b> (Std.)	<b>No Symbol</b> (No stick)	<b>LL</b>	<b>BPC</b>  (ABG style only)
<b>ABGR</b> (Grip type)	<b>1010</b> (10)	<b>13</b>	<b>HN**</b> (High neck)	<b>DS-3**</b> (3-in.) <b>DS-6**</b> (6-in.) <b>DS-8**</b> (8-in.) <b>DS-13**</b> (13-in.)		
<b>ABGPR</b>						



Removable basket unit



Lockable cap

\*Stainless steel available on ABR only. \*\*No chain unless specifically ordered.  
 \*\*\*Dip stick markings available (minimum order and extra charge).

# TANK FILLER-BREATHERS

## ALL-NYLON TOP-MOUNTING UNITS

This is an alternative to the traditional metal tank filler. It is made entirely of injection-molded, glass-filled nylon, which provides an attractive, tough, non-rusting product. A strainer basket with 30-mesh equivalent openings is provided.

It will fit into the same size hole as the metal units, and they share the same screw hole pattern.

Nylon breathers are offered only with a 10-micron rated air filter, and in only one basket depth. Mounting hardware supplied. (Stainless steel screws and dipsticks are available.)

### TO ORDER, SPECIFY

Standard model  
**MODEL NO. NAB-1010-4**

Weatherproof model  
**MODEL NO. NABG-1010-4-WP\***

Anti-Slosh model (See Catalog DCK)  
**MODEL NO. NAB-1010-4-AS**

\*Not stocked

For molded nylon parts made to your specs, call Flow Ezy. Baskets also available separately.



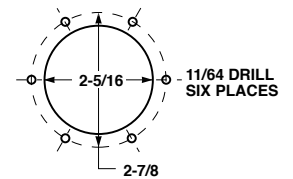
Nylon weatherproof cap

## UNITS FOR PRESSURIZED TANKS

These units provide air flow at 25 scfm to displace liquid at the rate of 190 gpm. They have a pressure rating of 5 psi (10 psi optional). It is available in either the standard mount or with the optional "High-neck" mount, which keeps the bottom of the air filter three inches above the tank top. The four-inch deep strainer basket is made of nylon, and has openings equivalent to 30-mesh. The grip-type cap is made of plated steel, and has a 10 or 40-micron air filter.

A safety chain is supplied on the standard model; if desired on the high neck model it must be specified.

To help prevent tampering the cap and mount can have welded lugs to allow use of a padlock. Specify "padlock adapted".

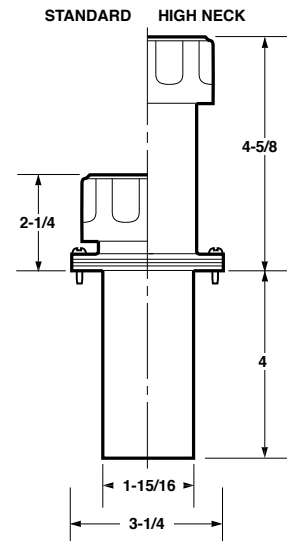


### TO ORDER, SPECIFY

Standard model  
**NO. ABGP-1000-4**  
 (40-micron)  
**NO. ABGP-1010-4**  
 (10-micron)

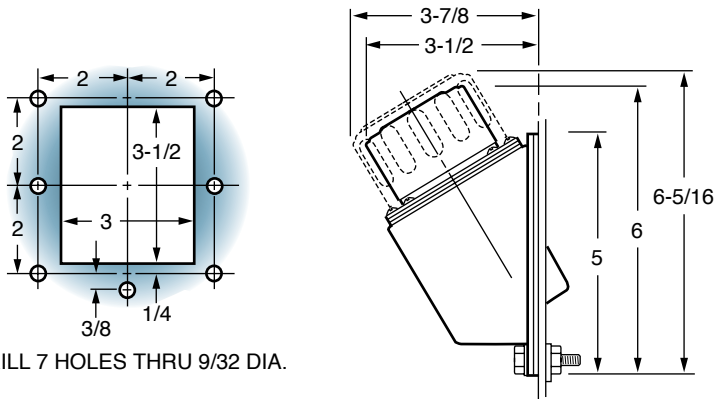
High-neck model  
**NO. ABGP-1000-4-HN**  
 (40-micron)  
**NO. ABGP-1010-4-HN**  
 (10-micron)

Available with lockable cap, add "-LL" at end of model no.



Grip type cap

# SIDE-MOUNTING UNITS



DRILL 7 HOLES THRU 9/32 DIA.

Where top surfaces are not available for locating a filler port, this unit mounts on vertical tank walls. The housing is tough, glass-reinforced nylon. It's only available with a 3-in. deep basket (and optional inner guard). The only other options are the 3-in. dipstick, the lockable cap, and powder coated cap.

## HOW TO ORDER SIDE-MOUNTED UNITS

Select the desired specifications from the ordering table and build an ordering code number, as shown in this example:

**AM - 1100 - 3 - G - LL - DS - BPC**  
 CAP - ELEMENT - BASKET - GUARD - Lockable - Dipstick - Black Powder Coated (omit if not wanted)

CAP Type	ELEMENT (Micron)	BASKET Depth (in.)	Inner GUARD	Lock Lugs	Dipstick*	Black Powder Coated Cap
AM (std)	1100 (40)	3 (only)	no symbol (no guard)	LL	DS	BPC
AMG (grip type)	1110 (10)		G (guard)			

\*No chain unless specifically ordered.



Black powder coated lockable Cap



Shown with grip type cap