

GIANT TANK BREATHERS

These over-sized units stop airborne dirt from entering tanks as liquid is removed. They provide clean, filtered air fast to replace liquids going out at high rates - up to hundreds of gallons per minute.

Giant tank breathers screw into NPT ports up to 3 inches in size. The threaded base is of nylon, which is strong, lightweight, and seals well against metal. (4-inch models with steel bases are also available; minimum order is twelve.) The strong, steel cover protects the filter elements.

A wide selection of filter elements is offered. They are pleated to increase surface area and dirt holding capacity, and are supported by coarse wire mesh. Elements rated 40 micron and finer are made of synthetic or cellulose (paper) material. Those rated 74 and 149 microns are of stainless steel wire mesh. Elements are easily replaced and replacements are always available.

HOW TO ORDER

Select the style number and the element micron-rating you want and combine them.

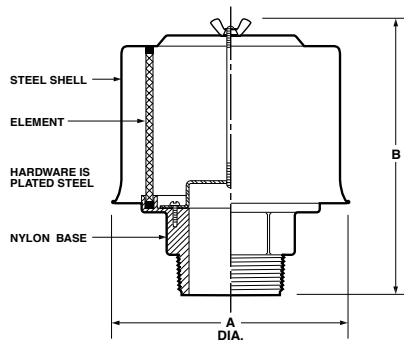
Example: **Style BF-2017 plus element 10C would be ordered as BF-2017-10C**

SIZE NPT (in.)	STYLE NO.	MICRON RATING†
2	BF-2017	10C
2-1/2	BF-2018	20C 40A
3	BF-2019	74W
4*	BF-2020	149W

* Metal base
 †“C” means cellulose, “A” means synthetic, and “W” means wire cloth.

DIMENSIONS (inches)

Style	A	B
BF-2017	5-13/16	6-1/2
BF-2018	7	8-1/4
BF-2019	7	8-1/4
BF-2020	7	8-1/4



REPLACEMENT ELEMENTS

Micron Rating	For Style BF-2017 Part No.	For Style BF-2018, 9, & 20 Part No.
10C	7827	7807
20C	7827-01	7807-01
40A	7827-02	7807-02
74W	7828	7826
149W	7828-01	7826-01

