



GBFV8-Series Single Bag Liquid Filter Vessels

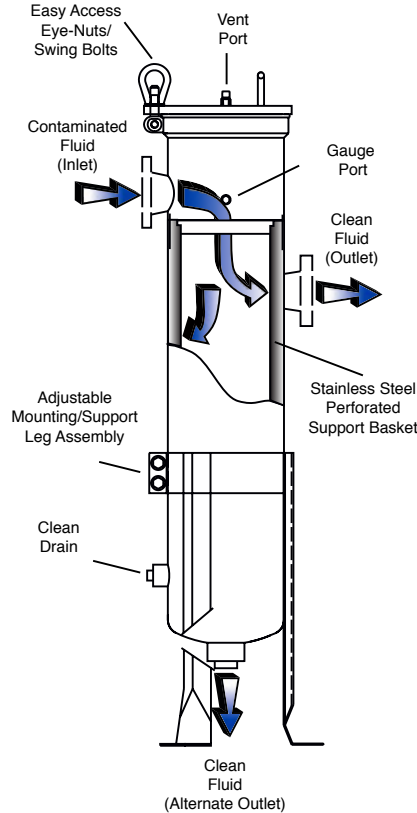
GBFV Series Bag Vessels are designed to meet and/or exceed nearly all application requirements. The V-ring design provides a positive snap-fit to ensure against by-pass and deliver clean effluent.

Features

- NPT or RF Flanged inlet/outlet connections
- Stainless steel perforated support baskets (9/64" standard)
- Adjustable tripod mounting/support leg assemblies
- Easy-access eye-nut/swing-bolt closures with handle
- 304 or 316L stainless steel construction options
- Uni-style (side & bottom outlet) offers increased piping flexibility
- Single o-ring seal (Buna standard)
- 150 PSI pressure rating standard
- Snap-fit V-ring bag seal design

Options

- ASME Code Stamp
- Electropolished Finish
- Sanitary porting
- Mesh-lined/perforated baskets
- Alternate seal materials
 - EPDM
 - Silicone
 - Teflon® Encapsulated Viton®
 - Viton®



Flow Rate

Model	Bag Size	Basket Depth	EFA (ft2)	Max Flow Rate (GPM)*
GBFV815	#1	15	2.0	90
GBFV830	#2	30	4.4	200

* Is the maximum flow rate recommended through the vessel without a filter bag installed (using water). Any increase in viscosity and/or the installation of filter bags will reduce these flow rates significantly. Please refer to the appropriate bag filter sizing chart or consult with your Global Filter representative when sizing.

Ordering Information

GBFV8	Basket Depth	Inlet/Outlet Size	Inlet/Outlet Style	Outlet	Material	Pressure Rating	Surface Finish	ASME Code Stamp
	15 = #1 Size	2 = 2"	F = RF Flange	1 = Bottom Outlet	4 = 304 SS	15 = 150 PSI @ 250°F	EP = Electro-polished	Blank = None
	30 = #2 Size	3 = 3"	N = FNPT	2 = Opposite Side Outlet	6 = 316L SS		GB = Glass Bead	U = ASME
			T = TC Ferrule	3 = Bottom & Opposite Outlet (2" FNPT ONLY)				

DISCLAIMER: Filtration data presented is representative of performance observed in controlled laboratory testing. It is not given as a warranty, specification or statement of fitness for use. Specific performance can vary widely depending on contaminant type, fluid properties, flow rates and environmental conditions. It is recommended that users conduct thorough qualification testing to assure the product functions as required.