

## GTCH-Series Multi-Cartridge Liquid Filter Vessels

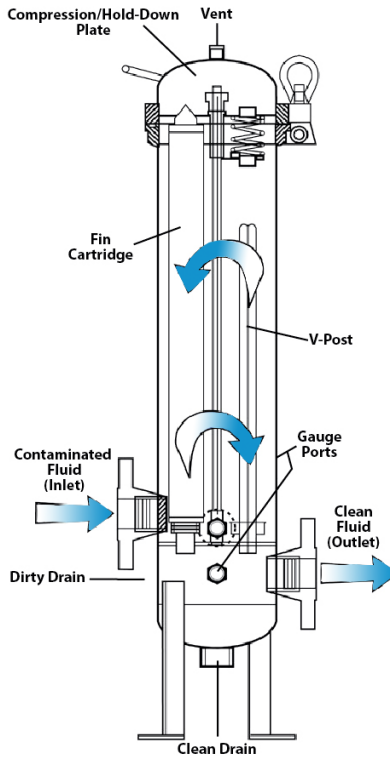
GTCH-Series Multi-Round Cartridge Vessels are designed for industrial and high purity applications. Vessels are constructed of 304 or 316L stainless steel and accept DOE, 222/FLAT and 222/FIN end cartridges in 10, 20, 30 & 40 inch lengths.

### Features

- 304 or 316L stainless steel construction options
- 150 PSI pressure rating standard
- Single o-ring design (Buna standard)
- Easy-access eye-nuts/swing-bolt closure
- Universal seat cups and alternate compression/hold-down plates allow vessels to accept DOE, 222/FLAT or 222/FIN cartridges
- Heavy-duty welded angle mounting/support legs
- Bearing-assisted hand-wheel closure davit (GTCH12 & larger)

### Options

- ASME Code Stamp
- CE Mark
- Electropolished Finish
- Sanitary Porting
- Alternate Seal Materials
  - EPDM (required for NSF-61)
  - Teflon® Encapsulated Viton® \*
  - Viton® \*



NSF Certification applies for use only with drinking water. Only products bearing the NSF Mark on the product, product packaging, and/or documentation shipped with the product are Certified. Product options denoted with asterisk (\*) are not included in the Certification.

Certified to NSF/ANSI/CAN 61

### Ordering Information

GTCH	# of Cartridges	Length	Inlet/Outlet Size	Inlet/Outlet Style	Outlet	Material	Pressure Rating	Surface Finish	ASME Stamp CE Mark	NSF
	3	1 = 10"	1 = 1", (25)	B = BSPT	1 = Bottom Outlet	4 = 304 SS	15 = 150 PSI @ 250°F	EP = Electropolished	Blank = None	Blank = None
	5	2 = 20"	1.5 = 1.5", (40)	DN = DIN	2 = Opposite Outlet	6 = 316L SS		GB = Glass Bead	U = ASME	MC = NSF-61
	7	3 = 30"	2 = 2", (50)	F = RF Flange					CE = CE Mark	
	12	4 = 40"	3 = 3", (80)	N = FNPT						
	21		4 = 4", (100)	T = TC ferrule						
	36		6 = 6", (150)							
	51		8 = 8", (200)							

DISCLAIMER: Filtration data presented is representative of performance observed in controlled laboratory testing. It is not given as a warranty, specification or statement of fitness for use. Specific performance can vary widely depending on contaminant type, fluid properties, flow rates and environmental conditions. It is recommended that users conduct thorough qualification testing to assure the product functions as required.

DS\_GTCH\_200909