



Gusmer Select Line of Filter Housings

Gusmer's Select filter housing line is designed for use with our Cellu-Stack® Filters. The well-polished sanitary housing leaves no residual liquids and has an easy throughput for cleaning.

DESIGN FEATURES / BENEFITS

- ◆ Bottom in/bottom out structure allows for easy cleaning. Inlet and outlet drain ports, which is convenient for drainage.
- ◆ Excellent sealing.
- ◆ Easy module change out to reduce liquid spoilage.
- ◆ All wetted parts 316L stainless.
- ◆ Swing bolt connections.
- ◆ Inlet / Outlet 90° elbows.
- ◆ Pressure gauge / Vent valve.

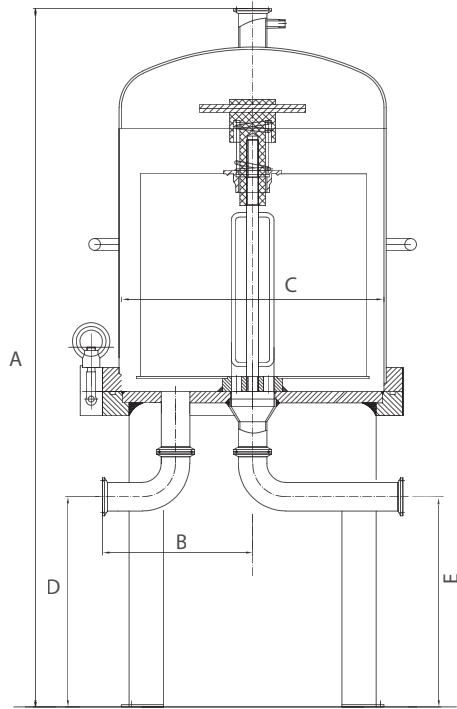


Operating Conditions	
Design Pressure	1.0 Mpa (10bar)
Max Temp.	140 °C (284 °F)
Sterilization	Inline/Autoclave @ 121 °C

Surface Finish	
Polish Type	Electro-Polish
Finish	Internal Ra: 0.3µm; External Ra: 0.4µm

Material of Construction	
Housing Body	316L
Vent / Drain	316L
Swing Bolt	304
Feet Support	304
Sealing	Silicon, Viton, EPDM, PFA

Connection	
Housing Connection	Swing Bolt
Inlet / Outlet	2" Tri-clamp
Vent	0.5" Tri-clamp
Drain	0.5" Tri-clamp
Pressure Gauge	1.5" Tri-clamp



	Units in (mm)	12" 16 Cell	12" 32 Cell	12" 48 Cell	12" 64 Cell
A	Total Height	800	1070	1340	1610
B	Inlet to Body Center	200	200	200	200
C	Diameter	350	350	350	350
D	Inlet to Ground	150	150	150	150
E	Outlet to Ground	150	150	150	150

ORDERING INFORMATION

	Number of Filters	Filter Specification	Material	End Cap	Housing Connection	Inlet / Outlet
H-CSD	<u>1</u>	<u>12-1</u>	<u>S</u>	<u>D</u>	<u>D</u>	<u>T50</u>
	<input type="checkbox"/> 01 1 round	<input type="checkbox"/> 12-1 12" 16 Cell <input type="checkbox"/> 12-2 12" 32 Cell <input type="checkbox"/> 12-3 12" 48 Cell <input type="checkbox"/> 12-4 12" 64 Cell	<input type="checkbox"/> S 316L	<input type="checkbox"/> D DOE	<input type="checkbox"/> D Swing Bolt	<input type="checkbox"/> T50 Tri-clamp DN 50

