



PHV Singles and Multi Filter Housings

Air / Gas filtration

- Atmospheric pressure range of vent housings
- Available in 1, 3, 5, 8 and 12 round in 10 to 40"
- Range of industry standard connections
- Suitable for group 2 gases



Specifications

Materials of Construction

Housing: 316L/1.4404

Surface Finish

Internal: Mechanical polishing
External: Mechanical mirror polishing

Cartridge Socket: C (226) style
Number of Cartridges: 1, 3, 5, 8, 12

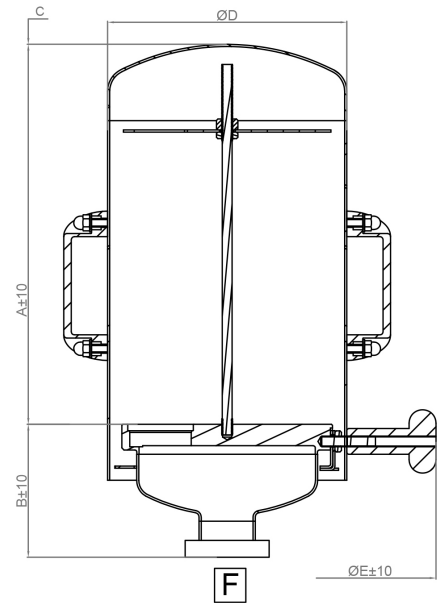
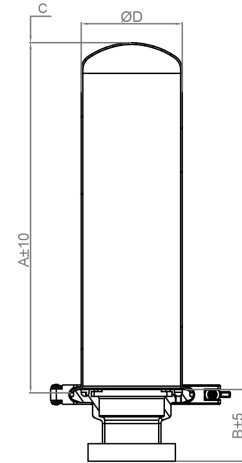
ATEX Regulation: Group 2, CAT 2 Gas & Dust
Fluid GR IIC, Zone 1 & 21

Certification: Supplied as standard with IOMI and vessel inspection certificate

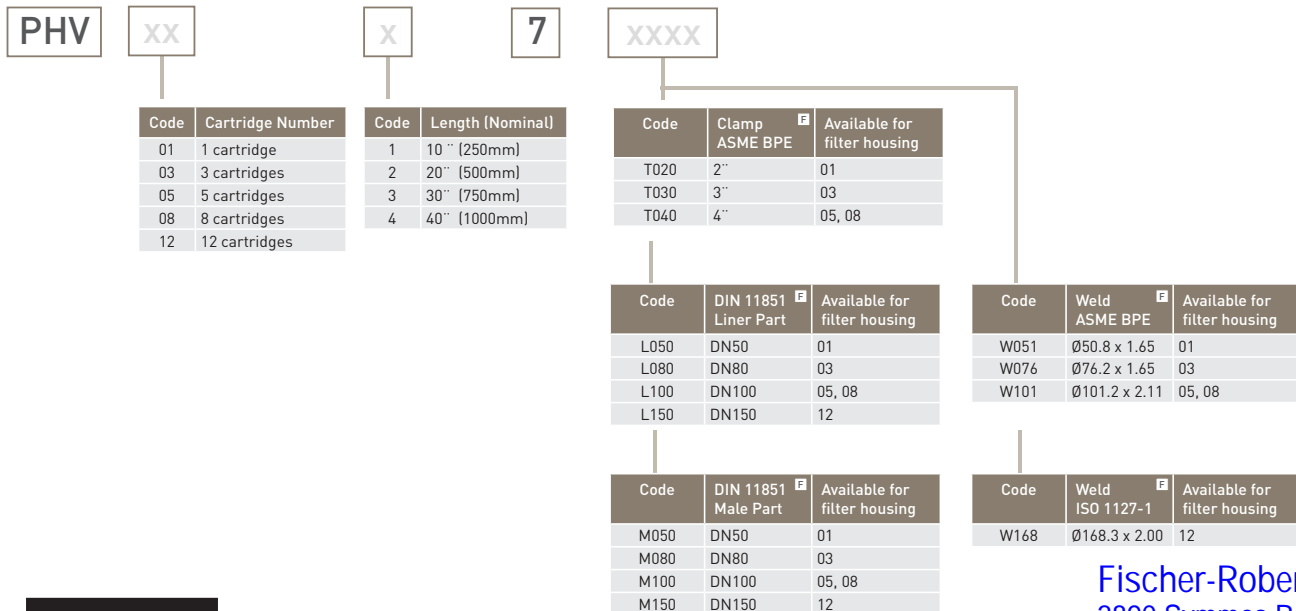
PHV Singles and Multi Filter Housings

Dimensions

Cartridge number and height	A	Clamp ASME BPE	B		Weld	C	Handles	ØD	ØE
			DIN 11851 Liner Part	DIN 11851 Male part					
01 x 10"	315	43	59	64	70	300	No	88.9	130
01 x 20"	565	43	59	64	70	550	No	88.9	130
01 x 30"	815	43	59	64	70	800	No	88.9	130
01 x 40"	1065	43	59	64	70	1050	No	88.9	130
03 x 10"	351	97	127	126	143	300	No	219	400
03 x 20"	601	97	127	126	143	550	Yes	219	400
03 x 30"	851	97	127	126	143	800	Yes	219	400
03 x 40"	1101	97	127	126	43	1050	Yes	219	400
05 x 10"	345	106	133	142	150	300	No	219	400
05 x 20"	595	106	133	142	150	550	Yes	219	400
05 x 30"	845	106	133	142	150	800	Yes	219	400
05 x 40"	1095	106	133	142	150	800	Yes	219	400
08 x 10"	349	120	147	156	164	300	No	273	440
08 x 20"	599	120	147	156	164	550	yes	273	440
08 x 30"	849	120	147	156	164	800	yes	273	440
08 x 40"	1099	120	147	156	164	1050	yes	273	440
12 x 10"	346	N.A.	179	192	202	300	No	400	570
12 x 20"	596	N.A.	179	192	202	550	Yes	400	570
12 x 30"	846	N.A.	179	192	202	800	Yes	400	570
12 x 40"	1096	N.A.	179	192	202	1050	Yes	400	570



Ordering Information



Fischer-Robertson, Inc.
 3890 Symmes Road
 Hamilton, OH 45015
 ph 513-860-3445 fx 513-860-4744
www.fischer-robertson.com