

## Polyflow® Mini-Capsules

### Encapsulated filters with polypropylene depth matrix for small-volume prefiltration applications

Polyflow® Capsules feature a random-fiber polypropylene depth matrix that provides superior retention efficiencies. In addition, the unique calendaring process produces depth media with unsurpassed dirt-holding capacity that extends filter service life. Longer life leads to increased savings by requiring fewer filter change-outs.

Polyflow® capsules are available in three sizes, enabling users to match the filters to actual batch sizes and minimize the hold-up volume. Cost savings result from the reduction of lost product, and by scaling the process properly to avoid excess filter capacity.

The encapsulated design maximizes efficiency by providing faster, easier change-out without laborious cleaning procedures. Eliminating the need to open reusable housings for cartridge replacement minimizes the chance of introducing contamination into the process, and promotes safety by reducing the risk of exposure to potentially hazardous fluids.

### Benefits

- High flow rate reduces processing time
- Long service life minimizes change out frequency
- Broad chemical compatibility enables use in most applications
- High retention efficiency provides excellent protection for downstream filters



- Non-pyrogenic (per LAL test) for use in critical applications
- Custom ordering option allows different inlet/outlet fittings for specific needs

### Applications

- Solvent and reagent grade chemicals
- Lab scale RO/DI pre-filtration
- Recirculating liquids
- General water filtration
- Vent filtration

**Parker Hannifin Corporation** provides our customers with unsurpassed product consistency and cost-efficiency. Our experienced professionals can help you select the right solution for your application. For more information or to place an order, contact your local distributor. Information on product specifications, applications and chemical compatibility can be found on our web site at [www.parker.com](http://www.parker.com) or through your nearest **Parker Hannifin Corporation** office.

**Parker Hannifin Corporation** designs and manufactures an extensive line of innovative solutions for specific applications in the Microelectronics, Biopharmaceutical, Food and Beverage, Industrial and Chemical industries.



# Polyflow® Mini-Capsules

## Specifications

### Materials of Construction

Depth media : Polypropylene  
 Support layers : Polypropylene  
 Structure : Polypropylene  
 Housing : Polypropylene

All components meet USP-XXIV Class VI-121°C criteria, and are thermally bonded to ensure integrity and reduce extractables.

### Effective Filtration Area

See table for details.

### Filtration efficiency

1.2µm, 2.5µm, 5.0µm, and 10.0µm are 99.9% efficient at the specified pore size. The 0.6µm capsule offers typical retention efficiency of up to 97-100%.

### Cartridge extractables

NVR < 3mg per 10" (250mm) capsule

### Autoclavable and sanitizable

May be autoclaved for up to 25 cycles at 275°F (135°C), or sanitized using most common cleaning agents.

### Maximum Differential Pressure/ Temperature

Forward: 70psid (4.8bar) @ 75°F (24°C)  
 35psid (2.4bar) @ 140°F (60°C)  
 20psid (1.4bar) @ 167°F (75°C)

Reverse: 30psid (2.1bar) @ 75°F (24°C)

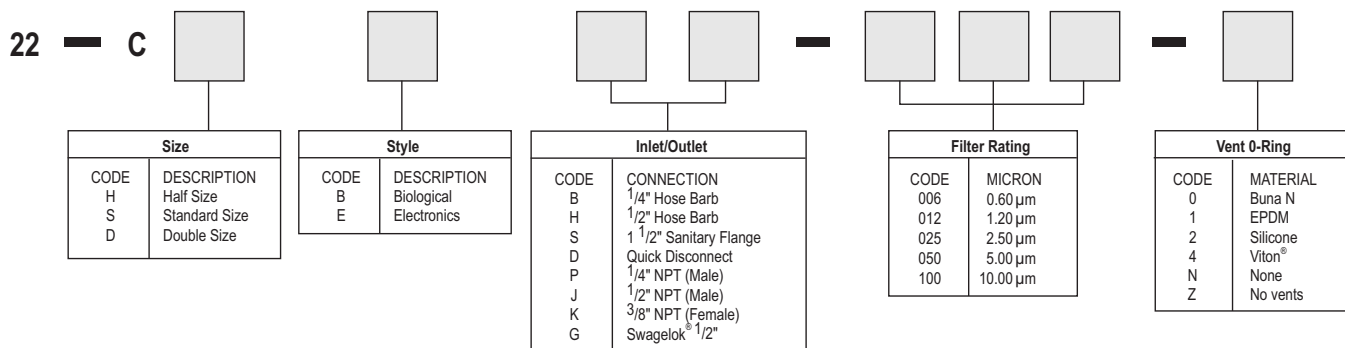
## Performance Attributes

FILTER RATING	CAPSULE SIZE	NOMINAL EFA		TYPICAL WATER FLOW RATE*		TYPICAL AIR FLOW RATE	
		ft <sup>2</sup>	cm <sup>2</sup>	gpm/psid	lpm/100mbar	scfm/psid	Nm <sup>3</sup> /hr/100mbar
0.6µm	Half	0.4	371	0.4	2.2	3.4	8.4
	Standard	0.7	650	0.8	4.4	5.9	14.6
	Double	0.9	836	1.0	5.5	7.6	18.8
1.2µm	Half	0.6	371	0.8	4.4	4.5	11.1
	Standard	1.1	1021	1.4	7.7	8.3	20.5
	Double	1.6	1486	2.1	11.5	12.0	24.0
2.5µm	Half	0.8	743	1.3	7.1	6.2	15.3
	Standard	1.5	1393	2.5	13.7	11.6	28.7
	Double	2.0	1858	3.3	18.1	15.4	38.1
5µm	Half	0.8	743	2.3	12.6	7.6	18.8
	Standard	1.6	1486	4.5	24.7	15.2	37.6
	Double	2.1	1950	6.0	32.9	20.0	49.5
10µm	Half	0.9	836	2.8	15.3	8.7	21.4
	Standard	1.6	1486	5.0	27.5	20.3	50.0
	Double	2.1	1950	6.5	35.7	26.6	65.7

\*For fluids with viscosity of 1 cP, and capsules with sanitary fittings.

## Ordering Information

Each cartridge is identified with a product number, pore size and lot number for traceability.



Specifications are subject to change without notification.  
 Polyflow is a registered trademark of Parker Hannifin Corporation. Viton is registered trademark of E.I. DuPont de Nemours & Co., Inc. Swagelok is a registered trademark of The Crawford Fitting Company.

© 2008 Parker Hannifin  
 Process Advanced Filtration Inc.  
 All Rights Reserved  
 SPEC -34 CAPS-E Rev F 04/08



FISCHER-ROBERTSON, INC.  
 FILTRATION & SEPARATION

(513) 860-3445 | Sales@fischer-robertson.com

ENGINEERING YOUR SUCCESS.