

Horizontal *Aquacon*[®] Vessels

HA Series

EI 1596 2nd Edition Monitor Specification Qualified
Horizontal *Aquacon* for Aircraft Fueling Trucks, Hydrant
Carts, and Cabinets

FEATURES

- Positive Protection Against Water and Dirt
- Compact Design
- ASME Code & EI 1596 Design
- Field Proven Performance

DESCRIPTION

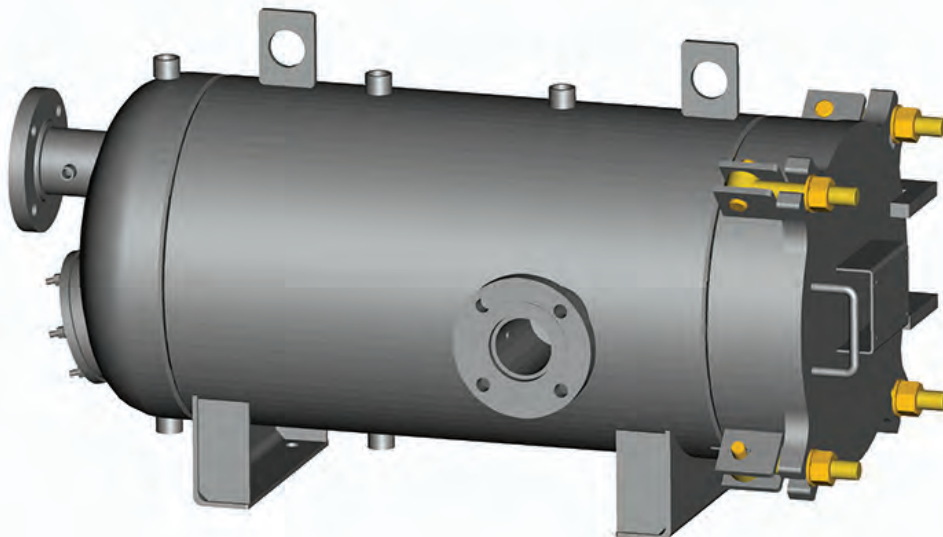
Compact HA Series *Aquacon* vessels are designed to utilize 6" outside-to-inside flow *Aquacon* elements meeting the latest edition of the EI 1583 for aviation fuel filter monitors with absorbent type elements.

SPECIFICATIONS

- 150 PSI ASME Code & EI 1596 Construction
- 220 psid (15 bar) Hydrotest Pressure for Deckplate
- Carbon Steel Construction
- RF Flanged or Victaulic Connections
- Swing Bolted Closure
- Buna-N O-Ring Cover Seal
- EI 1541 Epoxy Coated Interior, Primed Exterior

RECOMMENDED ACCESSORIES

- Automatic Air Eliminator
- Pressure Relief Valve
- Manual Drain Valve(s)
- Differential Pressure Gauge
- Sampling Probes
- ASME Code Stamp



*****CAUTION*****

DO NOT USE WITH PRE-MIXED FUEL
CONTAINING ANTI-ICING ADDITIVES.

Model	Flow Rate		Cartridges		Weight w/ Skid	Volume (US- GAL)
	USGPM	LPM	Model No.	Qty.		
HA829M	115	435	ACO-62901	1	265	8
HA844M	173	654	ACO-64401	1	300	12
HA1814M	232	878	ACO-61401	4	550	29
HA1829M	460	1,741	ACO-62901	4	600	44
HA2229M	805	2,611	ACO-62901	7	720	56
HA2244M	1,211	3,928	ACO-64401	7	800	75

Figure 1

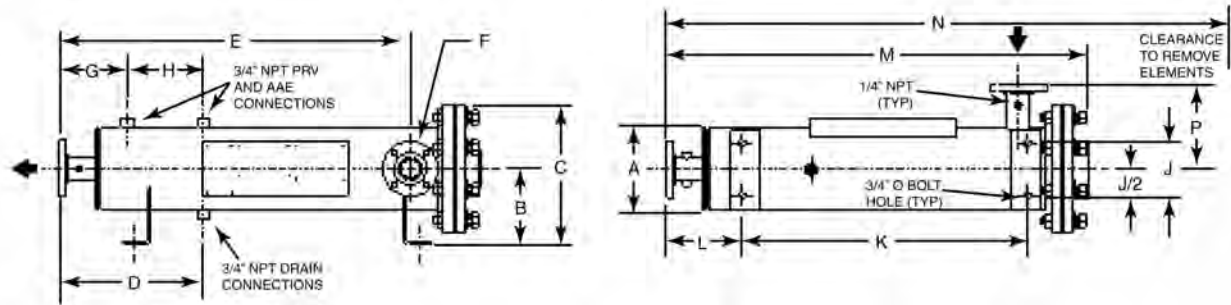
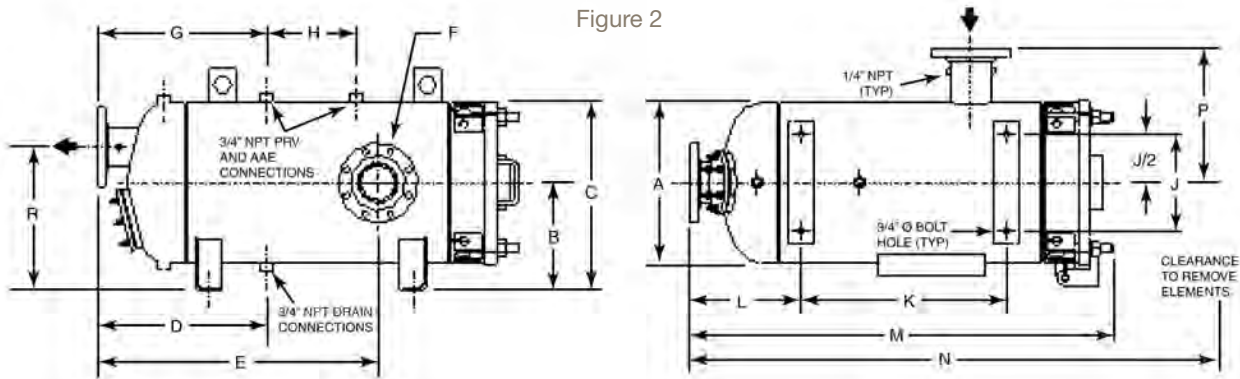


Figure 2



MODEL	Fig.	DIMENSIONS IN INCHES														
		A	B	C	D	E	F	G	H	J	K	L	M	N	P	R
HA829M	1	8 5/8	8	14 3/4	15 1/4	37	2	7 1/4	8	5 1/2	30	8	44 3/8	74	9	N/A
HA844M	1	8 5/8	8	14 3/4	16	51 1/2	2	8	8	5 1/2	41	8	58 5/8	102	9	N/A
HA1814M	2	18	12	21	12 1/2	18 1/4	4	12 13/16	8	10 3/4	10	12 1/2	32 15/16	48	15	16
HA1829M	2	18	12	21	12 1/2	31 9/16	4	19	10	10 3/4	23	12 1/2	47 7/16	76	15	16
HA2229M	2	22	15	28 1/2	14	32 3/4	6	20	10	16	25	14	49 1/4	78	17	20
HA2244M	2	22	15	28 1/2	14	48	6	20	10	16	40	14	64 1/4	108	17	20