

Six and Twelve Cartridges Filter Housings

VF166C, VF2012C

FEATURES

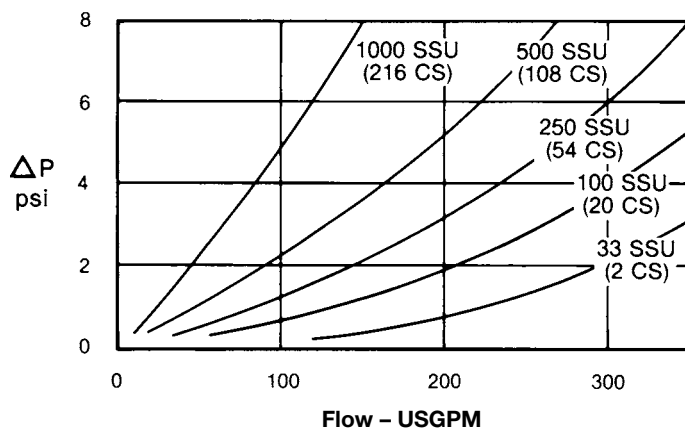
- ASME Code Design
- Carbon Steel Construction
- 150 psi operating pressure, 225 psi test
- O-Ring closure
- Primed exterior, oil coated interior
- Positive seal tie-rod cartridge mounting
- Swing bolt lid closure
- Six types of cartridge media available
- Lid lifting mechanism
- 200°F Design temperature

APPLICATIONS

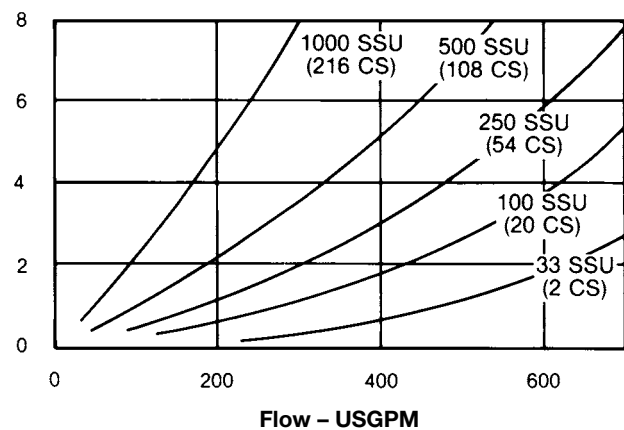
- Gasoline
- Cooling Water
- Coolants
- Solvents
- Kerosene
- Diesel Fuel
- Biodiesel Fuel
- Lube Oils
- Cutting Oils
- Gear Oil
- Hydraulic Oil
- Quench Oil
- Insulating Oil



VF2012C150



VF166C Housing with six FO-718PL05 Cartridges



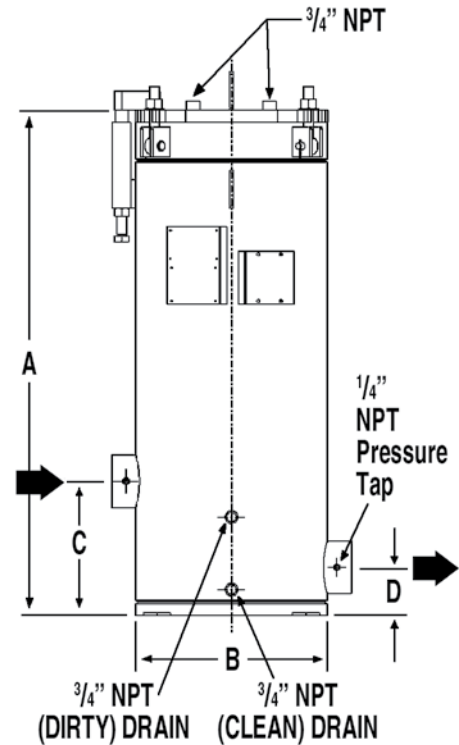
VF2012C Housing with twelve FO-718PL05 Cartridges



ENGINEERING YOUR SUCCESS.

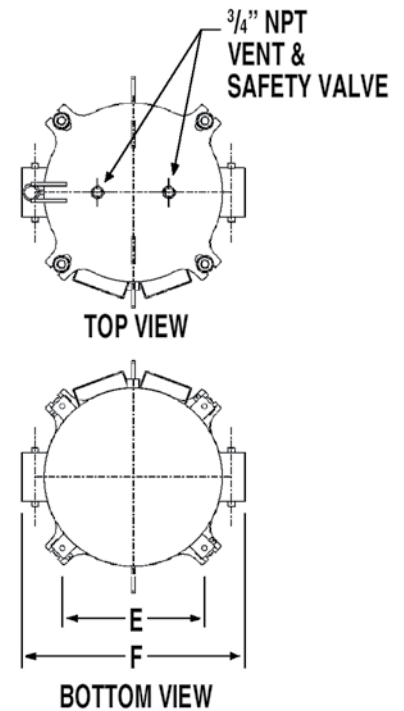
DIMENSIONS

| Housing | VF166C | VF2012C |
|-------------------------------|------------------|------------------|
| Inlet/Outlet | 3" NPT | 4" NPT |
| A | 47 1/4" (120 cm) | 52 3/4" (134 cm) |
| B | 16" (40.6 cm) | 20" (50.8 cm) |
| C | 11" (27.9 cm) | 14" (35.6 cm) |
| D | 4" (10.2cm) | 5" (12.7 cm) |
| E | 13" (33 cm) | 16" (40.6 cm) |
| F | 20" (50.8 cm) | 25" (63.5 cm) |
| Volume | 38 gal (144 L) | 65 gal (246 L) |
| Vessel Weight – empty | 355 lbs (140 kg) | 592 lbs (270 kg) |
| Shipping Weight | 405 lbs (160 kg) | 642 lbs (292 kg) |
| Number of Standard Cartridges | 6 | 12 |
| Lid Gasket – Buna-N | G-2033 | G-2027 |



ORDERING INFORMATION (SPECIFY)

| | | |
|--|--|-------------------|
| Housing | VF166C150 | |
| | VF2012C150 | |
| | ASME Code Stamp – Specify if Required | |
| Cartridge Types (not included with housing) | FO-718PL Series Pleated Media | |
| | FO-618 FGA Series Fiberglass Depth Media | |
| | FOS-618/718 Series Synthetic Media Pleated Cartridges | |
| | LA-61801B Fullers Earth Media | |
| | AC-718 Series Aquacon ® Water Absorbing Media Cartridge | |
| | SD-718 Series Superdri ® dissolved water removal cartridges | |
| Recommended Spares | 1 Set of Spare Filter Cartridges | |
| | 1 Lid Gasket | |
| Accessories | #120-H Differential Pressure Gauge | |
| | VF166CI50EPX Internal Epoxy Coating | |
| | G-2033A (VF166C150) | Viton Lid Gaskets |
| | G-2027A (VF2012C150) | |



Obtain Certified Drawing before pouring slab

