

Vel-Max[®] Filter Vessel

VX Series

Compact, Flexible Filtration, Multipurpose Design,
Simplified Maintenance

DESCRIPTION

The compact Vel-Max Filter Vessel is suitable for flowrates up to 204 USGPM with micronic cartridges, up to 198 USGPM as a filter/separator, and up to 150 USGPM with CDF[®] monitor cartridges. The Vel-Max[®] can be used on mobile refueling equipment, fueling cabinets and for fixed fueling installations. Vel-Max is designed for easy maintenance and easy conversion to a prefilter, filter/separator, or monitor.

APPLICATIONS

- Jet Fuel
- JP5/JP8
- Avgas
- Gasoline
- Kerosene

STANDARD FEATURES

- Carbon steel construction
- 250 psi design pressure
- Epoxy powder coated interior & exterior
- 2" NPT female inlet/outlet
- 1/2" NPT drain connection
- 3/4" NPT vent and pressure relief connection
- 1/2" NPT sight glass connections
- 1" NPT water probe connection
- 1/8" NPT differential pressure gauge connections
- Lid Gasket: G-2052 (Buna N)

OPTIONAL FEATURES

- Air eliminator
- Drain valve
- Pressure relief valve
- Water probe
- Sight gauge
- Leg assembly with adjustable height
- ASME Code Stamp
- CE Mark
- Differential pressure gauge assembly
- Lid Gasket: G-2052V (Viton)

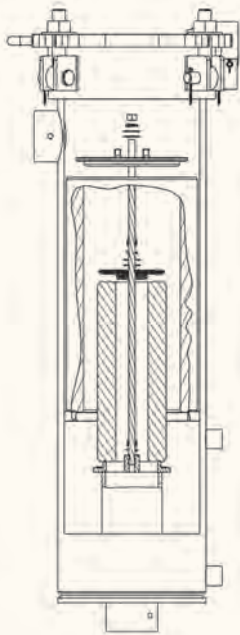
NOTE: For non-EI qualified applications. Housing does not meet EI1596 or EI1581 qualifications.



Vel-Max VX-2 showing optional leg assembly, differential pressure gauge, sight glass assembly, and air eliminator.

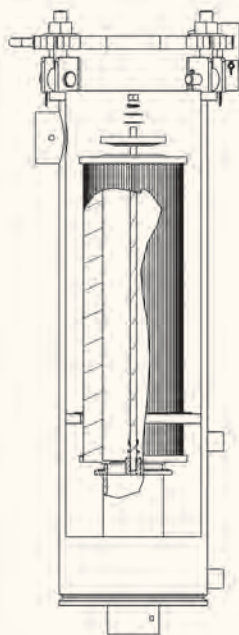
VEL-MAX FILTER VESSEL CONFIGURATIONS/APPLICATIONS

Filter/Separator Configuration



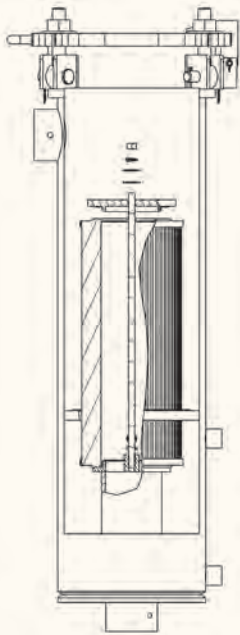
Vel-Max Series for liquid/liquid separation uses a 2-stage coalescer separator cartridge combination to remove free and emulsified water from a liquid product stream. The first stage coalescing cartridge provides filtration as well as coalescing of free and emulsified water. The second stage separator is a hydrophobic barrier designed to repel the coalesced water droplets. The water droplets will fall and collect in the sump for removal through the manual drain.

6" or 6.25" OD x 2.625" ID Configuration



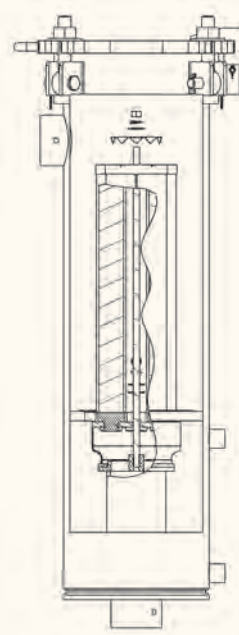
Vel-Max Series for 6" or 6.25" OD x 2.625" ID cartridges can be used in several ways. To remove solid contaminants from a flow stream, use the vessel with a pleated media filter. When used with **Aquacon** cartridges the Vel-Max will remove solids and free water by absorption from a fuel or industrial oil flow stream. Using Vel-Max with clay cartridges will remove surfactants, color and other impurities by adsorption from a fuel or industrial oil system.

6" OD x 3.5" ID Configuration



Vel-Max Series with 6" OD x 3.5" ID cartridges can be used in two ways. To remove solid contaminants from a flow stream, use the vessel with a pleated media filter. When used with **Aquacon** cartridges* the Vel-Max will remove solid contaminants and free water by absorption from a jet fuel or aviation gasoline flow stream.

6" or 6.25" OD x 2.625" ID Configuration



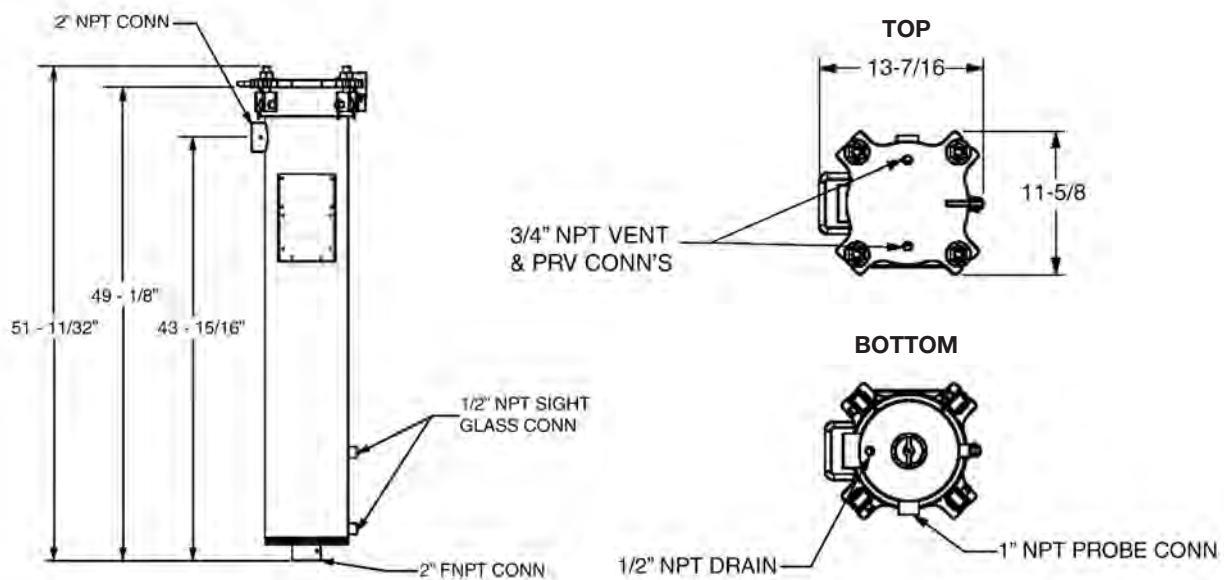
Vel-Max Series can be adapted to use 2" diameter CDF® type monitor cartridges* for removing solid contaminants and free water by absorption from jet fuel or aviation gasoline flow streams.

***CAUTION: Do not use Aquacon® or CDF® water absorbing monitor cartridges in pre-mixed jet fuel containing anti-icing additives (DiEGME, FIZZY®, Prist®, FSII)**

VEL-MAX FILTER VESSEL SPECIFICATIONS

DIMENSIONS

Model	Height		Cover Width		Cover Length		Dry Weight	
	in.	mm	in.	mm	in.	mm	lbs	kgs
VX-1	36	914	13 7/16	341	11 5/8	295	110	50
VX-2	51	1295	13 7/16	341	11 5/8	295	125	57
VX-3	66	1676	13 7/16	341	11 5/8	295	150	68



Drawing Shows
 Dimensions for VX-2

Dimensions shown are for estimating purposes only. For exact dimensional detail, obtain certified copy of vessel drawing.

FLOW RATES (USGPM)

Configuration	Applications	VX-1	VX-2	VX-3
Filter/Separator	Gasoline / Aviation Gasoline	66	132	198
	Jet Fuel / Kerosene	50	100	150
Micronic Cartridges 6" OD x 3.5" ID	Gasoline / Aviation Gasoline	68	136	204
	Jet Fuel / Kerosene	66	132	198
Aviation Aquacon Cartridges 6" Od X 3.5" ID	Jet Fuel / Kerosene	58	115	176
Industrial Micronic & Aquacon Cartridges 6" or 6.25" OD x 2.625" ID	Gasoline / Av Gas / Jet Fuel / Kerosene	50	100	150
Clay Cartridges (LA-61801B)	Jet Fuel / Kerosene / Gasoline	7.5	N/A	15
CDF® Monitor Cartridges		75	150	N/A

VEL-MAX® CARTRIDGE SELECTION TABLE

Filter/Separator Configuration				
First Stage Coalescers For:	Micron Rating	Vx-1	Vx-2	Vx-3
Gasoline	2	O-8156	O-8306	O-8446
Jet Fuel / Kerosene	0.5	O-81588	O-83088	O-84488
Second Stage Separators For:	TYPE	VX-1	VX-2	VX-3
Jet Fuel / Kerosene / Gas	TCS	SO-415VX5	SO-430VX5	SO-444C
6" OD X 3.5" ID CONFIGURATION	TYPE	VX-1	VX-2	VX-3
MICRONIC CARTRIDGES	PLEATED PAPER	FO-614PLFxx	FO-614PLFxx (STACK OF 2)	FO-614PLFxx (STACK OF 3)
			FO-629PLFxx	FO-644PLFxx
	FIBERGLASS DEPTH	FO-614FGxx	FO-614FGxx (STACK OF 2)	FO-614FGxx (STACK OF 3)
			FO-629FGxx	FO-644FGxx
AVIATION <i>Aquacon</i> CARTRIDGES*		ACO-61401R	ACO-61401R (STACK OF 2)	ACO-61405 (STACK OF 3)
INDUSTRIAL <i>Aquacon</i> CARTRIDGES		AC-61405	A(C/D)-614xx (STACK OF 2)	A(C/D)-614xx (STACK OF 3)
		AD-61410		
		AD-61425	AC-62905	AC-64405
6" OR 6.25" OD X 2.5625" ID CONFIGURATION		VX-1	VX-2	VX-3
MICRONIC CARTRIDGES	PLEATED PAPER (FO) & PLEATED SYNTHETIC (FOS)	FO-718PLxx	N/A	(FO/FOS)-718xx (STACK OF 2)
		FOS-618PLxx		FO-736PLxx
		FOS-718PLxx		FOS-636PLxx
	FIBERGLASS DEPTH	FO-618FGAxx		FO-618FGAxx (STACK OF 2)
FO-636FGAxx				
INDUSTRIAL <i>Aquacon</i> ® CARTRIDGES		AC-718xx	AC-718xx (STACK OF 2)	AC-736xx
CLAY (FULLER'S EARTH) CARTRIDGES		LA-61801B		LA-61801B (STACK OF 2)
CDF® MONITOR CONFIGURATION		VX-1	VX-2	VX-3
CDF® CARTRIDGES*		CDF-215P	CDF-230P	N/A

The suffix "xx" on the part number of cartridges denotes the micron rating of the cartridge. Contact Parker AFD for available micron ratings.

HARDWARE KITS

CONFIGURATION	VX-1	VX-2	VX-3
Filter / Separator (Coalescer + Separator)	VX1-FSKIT	VX2-FSKIT	VX3-FSKIT
6" OD X 3.5" ID Cartridge(s)	VX1-AVKIT	VX2-AVKIT	VX3-AVKIT
6" OR 6.25" OD X 2.5625" ID Cartridge(s)	VX1-INKIT	N/A	VX3-INKIT
CDF® Monitor Cartridge(s)	VX1-CDKIT	VX2-CDKIT	N/A

*CAUTION: Do not use *Aquacon*® or CDF® water absorbing monitor cartridges in pre-mixed jet fuel containing anti-icing additives (DiEGME, FIZZY®, Prist®, FSII)