

Fulflo® High-Pressure Single Cartridge Filter Vessel (4.5C)

Design ideal for high-pressure liquid & gas applications (non ASME code)

Ideal for a wide range of industrial machinery and process industry applications, these vessels combine extremely high-pressure rating capability with ease of installation and rugged durability.



Contact Information



FISCHER-ROBERTSON, INC.
FILTRATION & SEPARATION

(513) 860-3445
Sales@fischer-robertson.com

Benefits

- 4.5C features multiple bolt closure to meet high-pressure requirements
- In-line pipe connections for easy installation
- Available in carbon steel and 316 stainless steel materials
- Spring-loaded bottom seats for positive cartridge sealing
- Drain and vent standard on all models
- Vessels accept a single 10" or 20" DOE (double-open-end) seal elements

Applications

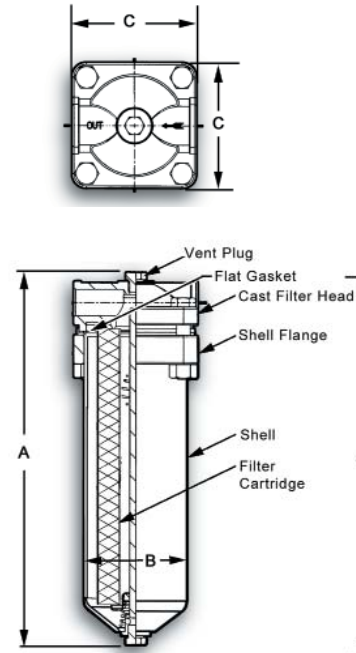
- Petrochemicals
- Coolants
- Hydraulic Oils
- Process Water
- Solvents
- Other High-Pressure Liquids



ENGINEERING YOUR SUCCESS.

Fulflo® High-Pressure Single Cartridge Filter Vessel

Optional Shell O-Ring/Gasket	
Material	Part #
FKM (Viton®)	2620-5058
Klingsil C-4401 (Std.)	2620-5054
Glass-filled Fluoropolymer	2620-5056
Neoprene	2620-5042
Rubber	2620-5344

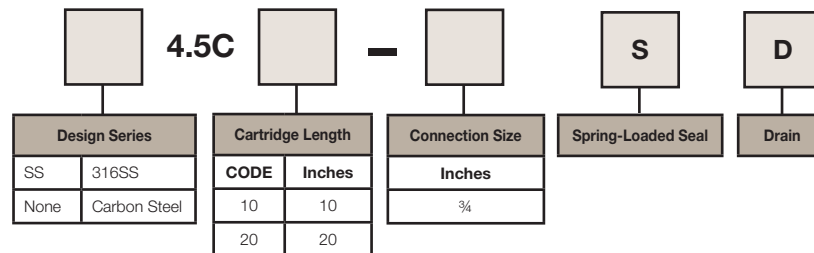


Design Specifications

Model	Rated Capacity† (gpm)	Wound Depth Cartridge Length (in)	Max. Op. Pressure	Max. Op. Temperature	A Overall Height (in)	B Outside Diam. (in)	C Face-to-Face Dim. (in)	Pipe Size (NPT) (in)	Shipping Weight (lbs)
4.5C10-¾ SD	5	(1) 10	450psi (31bar)	400°F (204°C)	13.31	3.63	4.38	¾	9
SS4.5C10-¾ SD	5	(1) 10	450psi (31bar)	400°F (204°C)	13.31	3.63	4.38	¾	10
4.5C20-¾ SD	10	(1) 20	450psi (31bar)	400°F (204°C)	29.19	3.63	4.38	¾	12.25
SS4.5C20-¾ SD	10	(1) 20	450psi (31bar)	400°F (204°C)	29.19	3.63	4.38	¾	13.25

† Actual flow rate is dependent on fluid viscosity, micron rating, contaminant and media type.

Ordering Information



Specifications are subject to change without notification.
For User Responsibility Statement, see www.parker.com/safety

© 2017 Parker-Hannifin Corporation
Industrial Process Filtration - North America
All Rights Reserved

Fulflo is a registered trademark of Parker-Hannifin Corporation

DS_IP_HP 4.5C Rev. A