

Air/Gas Filters - to 1480 psig

Series P50- Enameled Carbon Steel ♦ Series P52- 304 Stainless

1480psig @ -20 to 100°F
1350psig @ -20 to 200°F



Fischer-Robertson, Inc.
3890 Symmes Road
Hamilton, OH 45015
ph 513-860-3445 fax 513-860-4744
www.fischer-robertson.com



- Intake Air Flows to 200,000 SCFM Std.
- ASME U Stamp Std., Nat'l. Board Registered
- Low Pressure Drop, Maximum Filter Area and Dirt Capacity
- Hinged Flange, Lift Lug, and 18" CS leg supports Std.
- Service Access W/O Breaking Connections
- 304SS Throat Safety Cages and ΔP Taps Std.
- Rugged Enameled Steel or 304SS Construction These air and gas pipe line filters offer exceptional protection for compressed gas pipelines, air dryers, pneumatic controls, and other pipeline equipment. They are fabricated from rugged enameled carbon steel (series P50) or 304SS (series P52), designed, constructed, and stamped, in accordance with ASME Boiler and Pressure Vessel Code requirements for unfired pressure vessels. Any model can be readily modified at your request to more exactly fit your needs.

• Connection Sizes from 1" to 12"

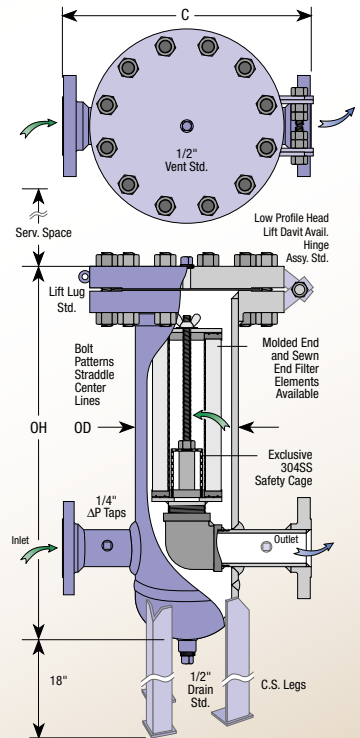
Raised face flanges (RF) in-line connections are std. Alternative orientations and sizes are available upon request. A simple blind flange closure assembly is standard on all models.

• Recoverable Sewn or Rubber End Filter Elements.

Classic radial fin textile media elements are unsurpassed for low ΔP, dirt holding capacity and efficiency. They stop particulates before they can move downstream. Select either recoverable 10μ Sewn End Filter Elements or 10μ long life low cost urethane rubber molded end elements, as your needs dictate to remove 98% of all airborne dust and dirt. Unlike PVC, our urethane rubber ends have no phthalate elastomers or other plastisizers. Dozens of alternative filter media are available for services having finer micron retentions, elevated temperatures and/or aggressive chemistry, see page 30.

• Options:

Carbon steel support legs in any length, (18" CS leg supports are std. on all P50 and P52 models), gauges, special finishes, and head lift assemblies are optional on any model. Call for information on vessels having other pressure services, 304SS, or other materials of construction. See pgs. 13 & 14 for more options and a worksheet to fax back to us.



Housing Model No.	Conn. Size	Conn. Type	Cover Style	Dimensions in Inches				Wgt. Lbs.	Select Filter Elements	
				OD	OH	C	Serv. Space		Sewn End 10μ	Molded End 10μ
P50-0200-RF-010	1"	Flg.	Blind Flg.	6%	24	18	16	350	320-0365K5	321-1439K5
P50-0201-RF-015	1½"	Flg.	Blind Flg.	6%	28	18	16	400	320-0525K5	321-3235K5
P50-0202-RF-020	2"	Flg.	Blind Flg.	8%	28	18	16	450	320-0526K5	321-3236K5
P50-0203-RF-030	3"	Flg.	Blind Flg.	8%	39	24	24	500	320-0527K5	321-3237K5
P50-0204-RF-040	4"	Flg.	Blind Flg.	10%	42	28	24	1000	320-0528K5	321-3238K5
P50-0205-RF-060	6"	Flg.	Blind Flg.	12%	51	30	26	1200	320-0529K5	321-3239K5
P50-0206-RF-080	8"	Flg.	Blind Flg.	16	66	32	36	1800	320-0530K5	321-3240K5
P50-0208-RF-100	10"	Flg.	Blind Flg.	20	76	36	36	2600	320-0531K5	321-3241K5
P50-0209-RF-120	12"	Flg.	Blind Flg.	24	78	42	39	3600	320-0532K5	321-3242K5

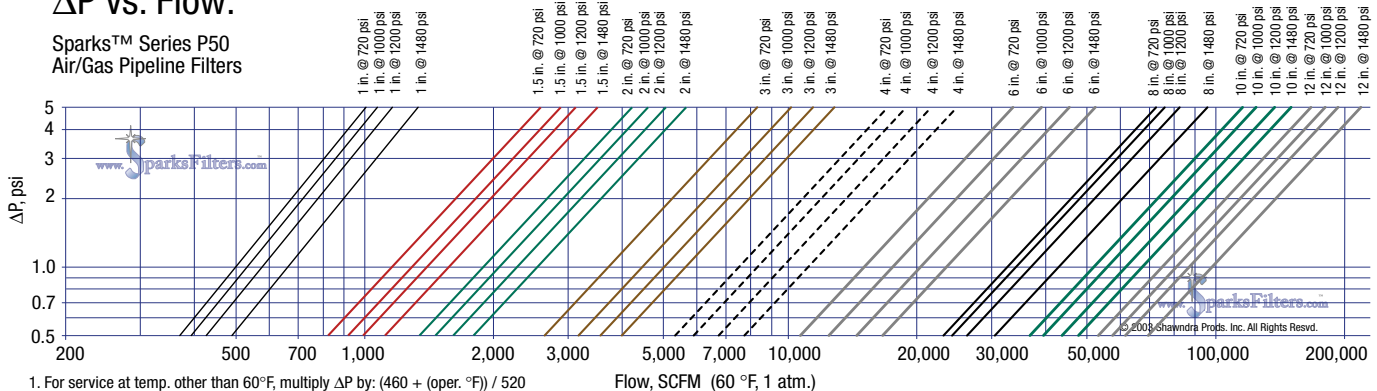
Select filter elements with solid molded rubber ends or sewn ends with textile gaskets.



ΔP vs. Flow:

Sparks™ Series P50 Air/Gas Pipeline Filters

Connection Size, Inlet Pressure, psig



1. For service at temp. other than 60°F, multiply ΔP by: (460 + (oper. °F)) / 520
2. ΔP is chgd. proportionally with gas gravity, i.e. nat. gas ΔP 60% that of air.