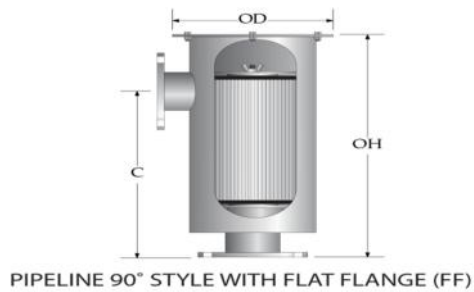
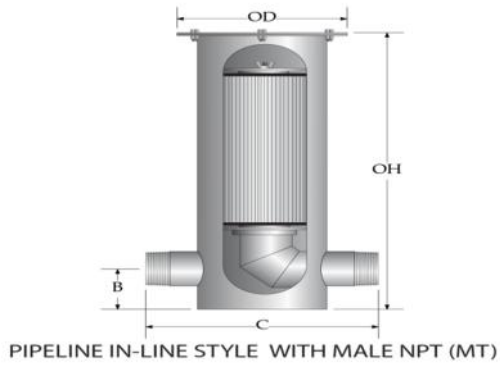
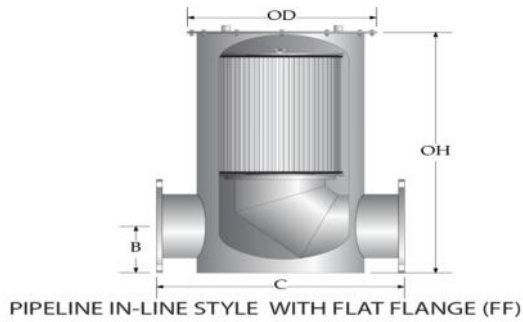


Sidco Housing

Pipeline Housings



CONSTRUCTION OF PIPELINE FILTER HOUSINGS

Standard construction is of welded carbon steel, coated with an industrial enamel finish, providing strength and durability. Sidco pipeline housings are also available with stainless steel construction for additional strength and durability.

Sidco Filter housings may be modified or customized to meet your specific requirements.

OPTIONS

- Cap closure: Used for ambient pressure conditions
- Bolt closure: Used for pressures up to 5 PSIG
- May be modified or customized to meet your specific requirements
- Optional legs
- Optional gauge taps are available

CONNECTIONS

- Sizes of 2 to 24 are available
- Male NPT(MT) or plate flanges(FF) are standard
- Flanges match diameter and drilling for 150# ANSI
- Optional connections available: Right angle base for side mounts (AF), female NPT (FT), bevel (BV), and plain cut (PE)

FEATURES

Sidco pipeline filter housings provide protection for air compressors, blowers, and engines from environmental conditions in both indoor and outdoor services.

- Low pressure drop and low energy loss
- Used in applications where long service life is essential
- Flow rates up to 30,000 SCFM

ELEMENTS FOR PIPELINE FILTER HOUSINGS

Standard filters are manufactured with our #5 polyester felt, providing efficiency of 98% of all particles of 10 μ and larger.

- Replaceable, cleanable filters with radial fin design
- Minimum pressure drop
- Maximum filter area and dirt holding capacity

Chart indicates sample dimension only.

Sizing may be subject to change without notice.

PIPELINE HOUSING: IN-LINE STYLE										
HOUSING MODEL NUMBER	CFM	CONN. SIZE	CONN. TYPE	OH	OD	B	C	SERVICE SPACE	WEIGHT (EST)	10μ ELEMENT
745-0002-MT-020	90	2.00"	MT	15.50"	6.63"	3	14.00"	8.00"	21 lbs	405-2438
745-0003-MT-030	200	3.00"	MT	26.00"	8.63"	4	16.00"	16.00"	44 lbs	405-1616
745-0004-MT-040	350	4.00"	MT	26.00"	10.75"	4	22.00"	16.00"	70 lbs	405-1270
745-0004-FF-040	350	4.00"	FF	26.00"	10.75"	4	22.00"	16.00"	75 lbs	405-1270
745-0005-FF-060	800	6.00"	FF	40.50"	12.75"	6	24.00"	25.00"	120 lbs	405-4948
745-0005-MT-060	800	6.00"	MT	40.50"	12.75"	6	24.00"	25.00"	130 lbs	405-4948
745-0006-FF-080	1500	8.00"	FF	42.50"	16.00"	8	28.00"	25.00"	200 lbs	405-5333
745-0007-FF-100	2400	10.00"	FF	48.50"	20.00"	10	32.00"	25.00"	240 lbs	405-5731
745-0008-FF-120	3400	12.00"	FF	48.50"	24.00"	10	36.00"	25.00"	310 lbs	405-3884
745-0009-FF-160	5400	16.00"	FF	50.50"	32.00"	12	44.00"	21.00"	530 lbs	405-4614
745-0010-FF-200	8500	20.00"	FF	62.50"	36.00"	14	48.00"	25.00"	660 lbs	405-0238
745-0011-FF-240	12000	24.00"	FF	68.50"	44.00"	18	56.00"	25.00"	950 lbs	405-3221

PIPELINE HOUSING: 90° STYLE										
HOUSING MODEL NUMBER	CFM	CONN. SIZE	CONN. TYPE	OH	OD	C	SERVICE SPACE	WEIGHT (EST)	10μ ELEMENT	
755-0002-MT-020	90	2.00"	MT	16.00"	6.63"	12.00"	8.00"	24lbs	405-2438	
755-0003-MT-030	200	3.00"	MT	24.00"	8.63"	20.00"	16.00"	38 lbs	405-1616	
755-0004-MT-040	350	4.00"	MT	24.00"	10.75"	20.00"	16.00"	55 lbs	405-1270	
755-0004-FF-040	350	4.00"	FF	27.00"	10.75"	20.00"	16.00"	60 lbs	405-1270	
755-0005-FF-060	800	6.00"	FF	40.00"	12.75"	34.00"	25.00"	90 lbs	405-4948	
755-0005-MT-060	800	6.00"	FF	40.00"	12.75"	34.00"	25.00"	105 lbs	405-4948	
755-0006-FF-080	1500	8.00"	FF	40.00"	16.00"	34.00"	25.00"	120 lbs	405-5333	
755-0007-FF-100	2400	10.00"	FF	44.00"	20.00"	34.00"	25.00"	160 lbs	405-5731	
755-0008-FF-120	3400	12.00"	FF	44.00"	24.00"	34.00"	25.00"	200 lbs	405-3884	
755-0009-FF-160	5400	16.00"	FF	48.00"	32.00"	34.00"	21.00"	350 lbs	405-4614	
755-0010-FF-200	8500	20.00"	FF	48.00"	36.00"	34.00"	25.00"	450 lbs	405-0238	
755-0011-FF-240	12000	24.00"	FF	48.00"	44.00"	34.00"	25.00"	650lbs	405-3221	